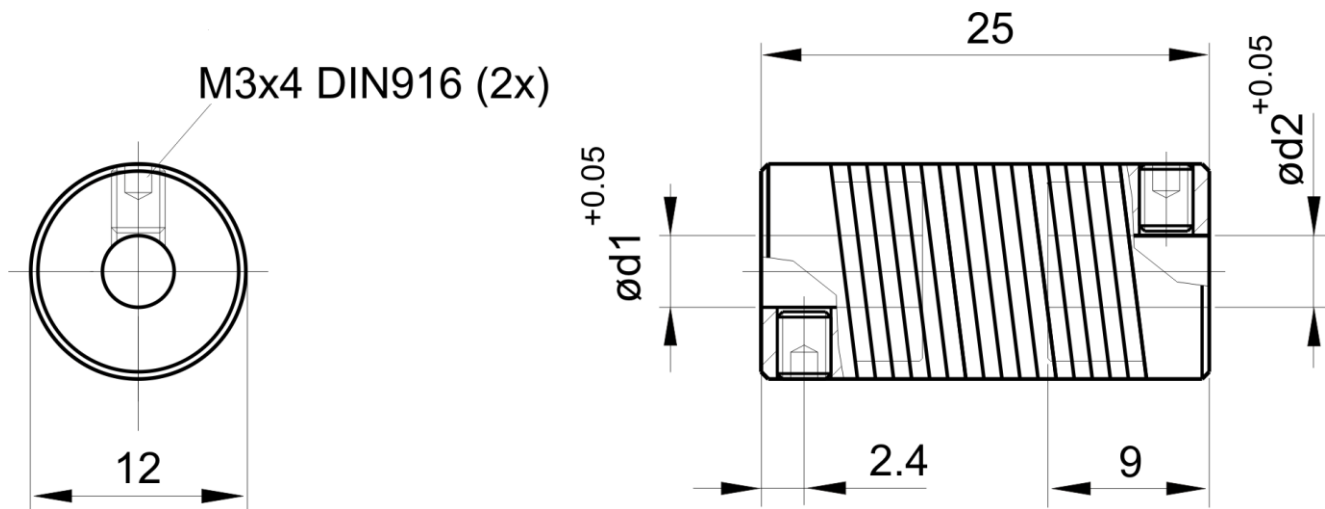


Coupling FKZS 1225

Technical data	FKZS 1225
Max offset of shaft:	
Radial	± 0,5mm
Axial	± 0,5 mm
Angular	± 5 Degree
Moment of inertia	2,8 gcm ²
Max clamping torque	70 Ncm
Weight appr.	14 g
Temperatur range	-30 -> +120 °C



d1	d2	Type nr.	Ordering nr.	
3	3	FKZS 1225 03/03	08410078	*
3	4	FKZS 1225 03/04	08410079	*
4	4	FKZS 1225 04/04	08410080	*
5	5	FKZS 1225 05/05	08410081	*
6	6	FKZS 1225 06/06	08410082	*

*Not on stock