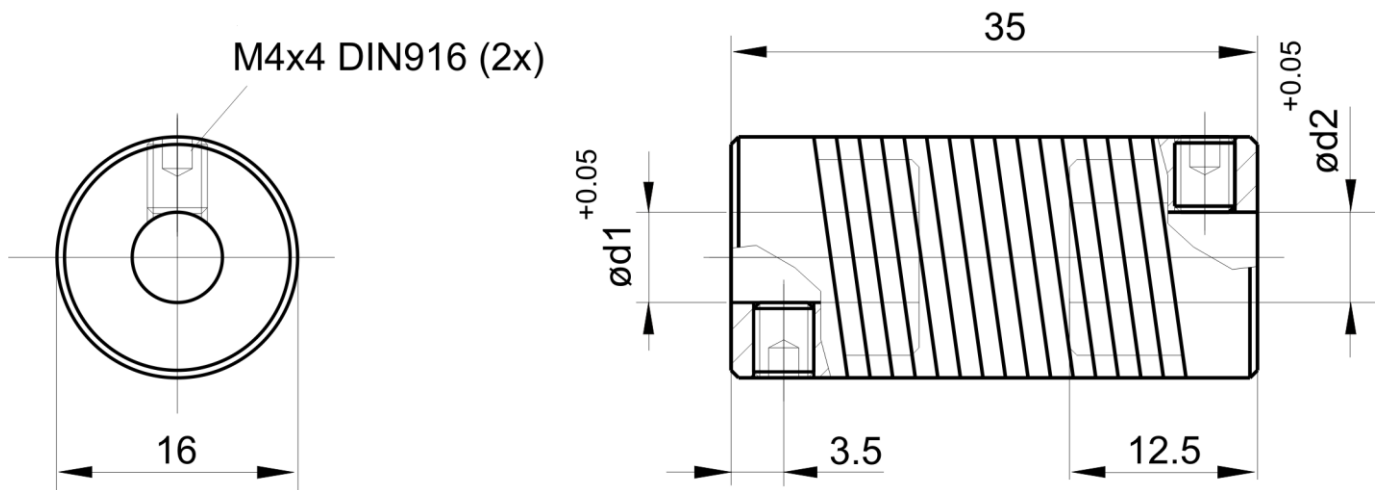


## Coupling FKZS 1635

Technical data	FKZS 1635
Max offset of shaft:	
Radial	± 1 mm
Axial	± 1 mm
Angular	± 5 Degree
Moment of inertia	10 gcm <sup>2</sup>
Max clamping torque	150 Ncm
Weight	28 g
Temperatur range	-30 -> +120 °C



d1	d2	Type nr.	Ordering nr.	
4	5	FKZS 1635 04/05	08410083	*
5	5	FKZS 1635 05/05	08410084	*
5	6	FKZS 1635 05/06	08410085	*
6	6	FKZS 1635 06/06	08410007	
6	8	FKZS 1635 06/08	08410086	*
8	8	FKZS 1635 08/08	08410087	*

\*Not on stock