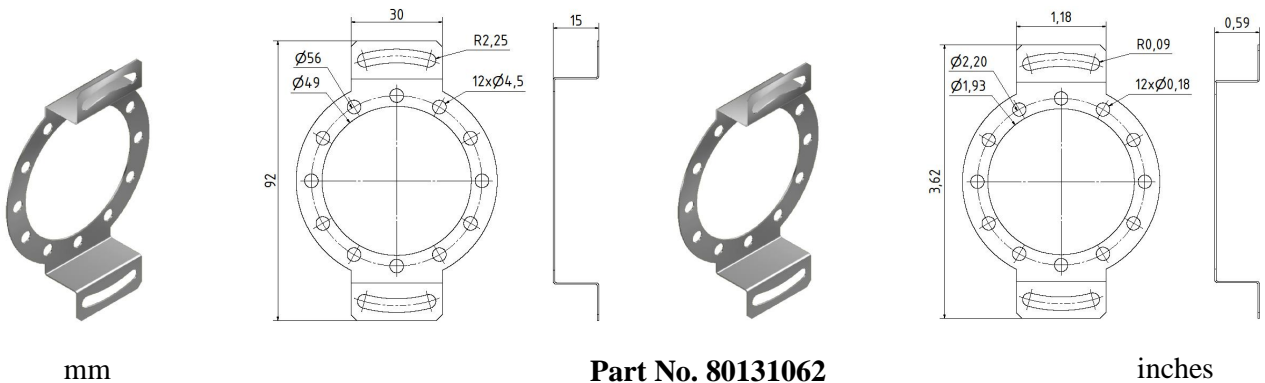
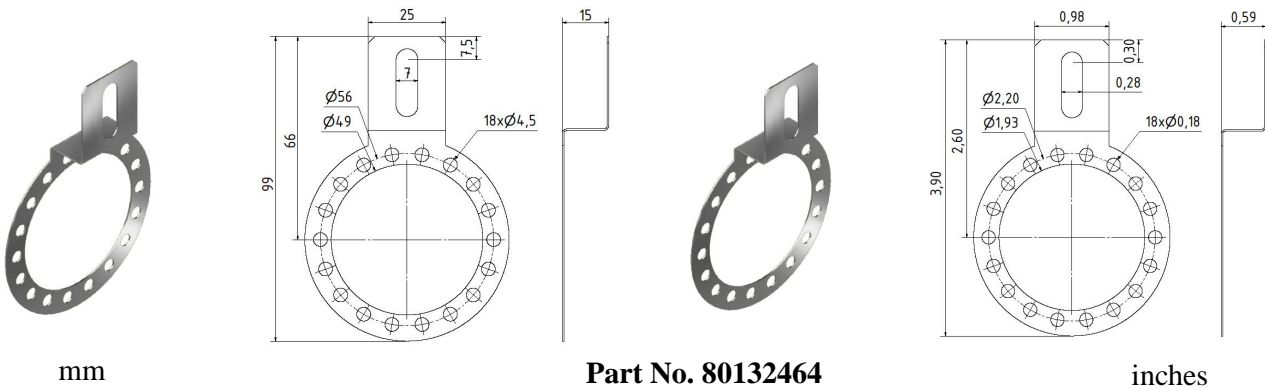
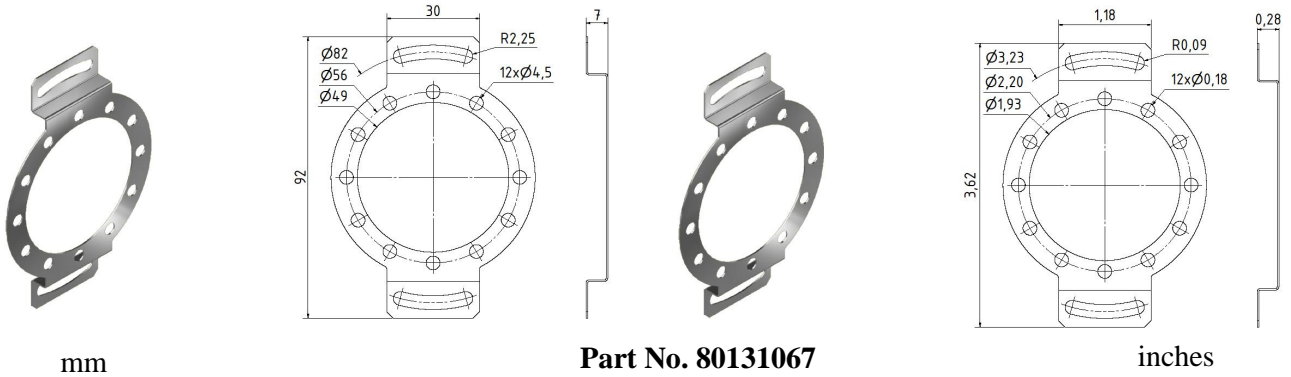
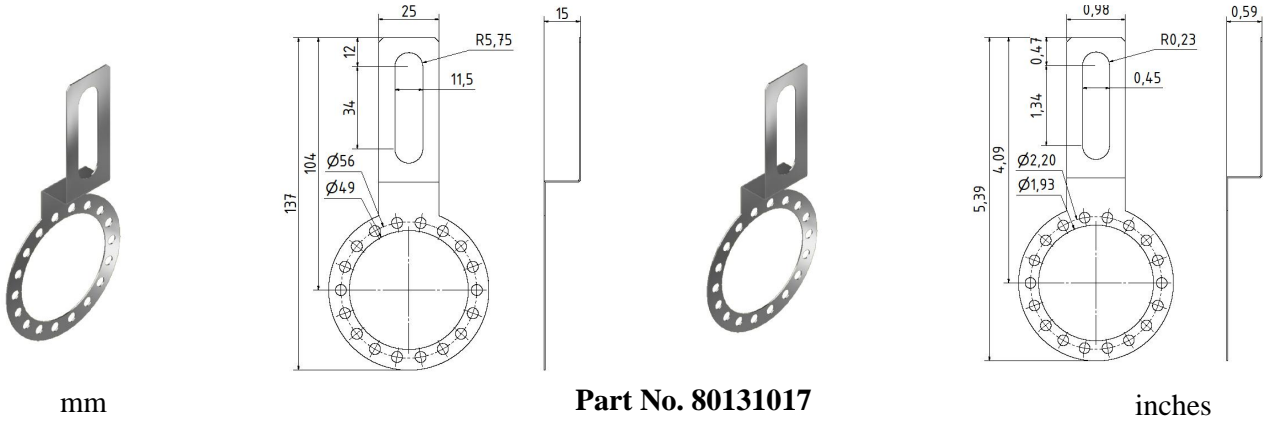
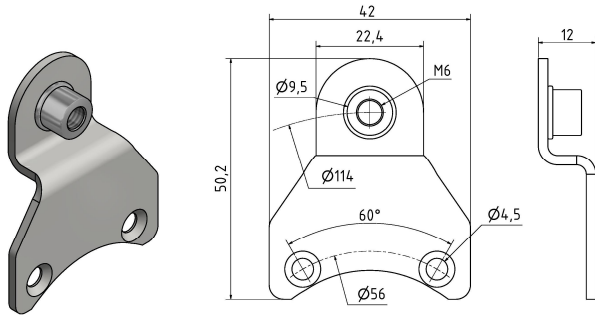


Spring Couplings – material Stainless Steel:

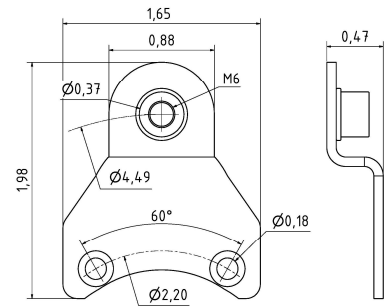


Bracket for Torque Arm- material Stainless Steel:

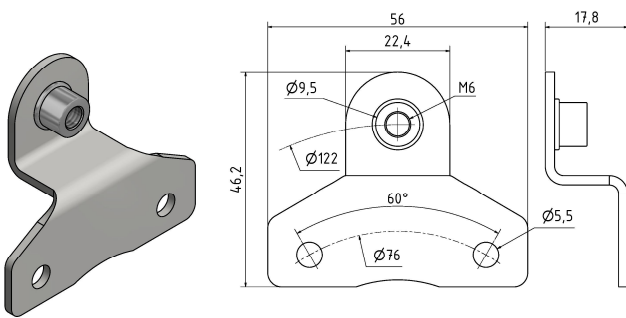


mm

Part No. 80141730

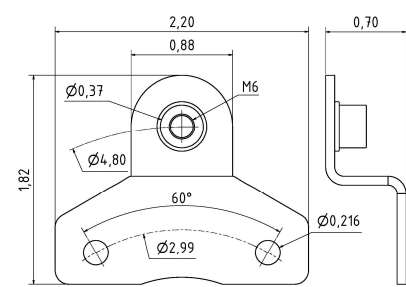


inches



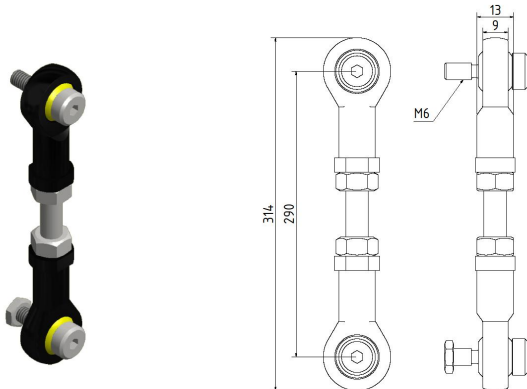
mm

Part No. 80141765



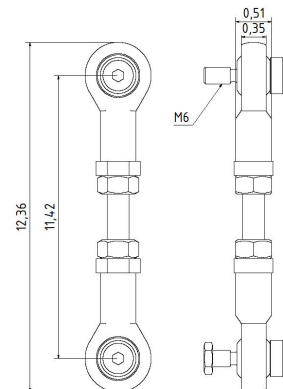
inches

Torque Arm:



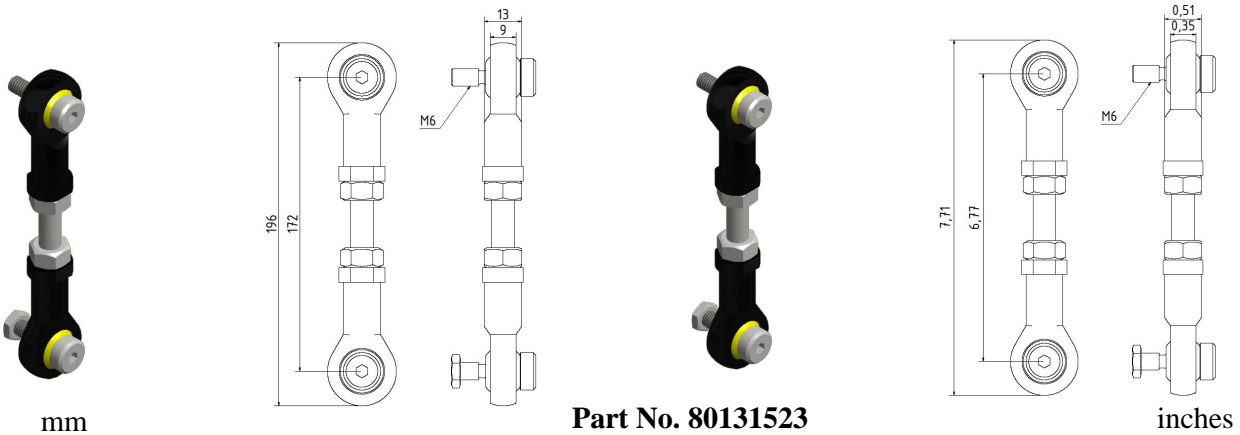
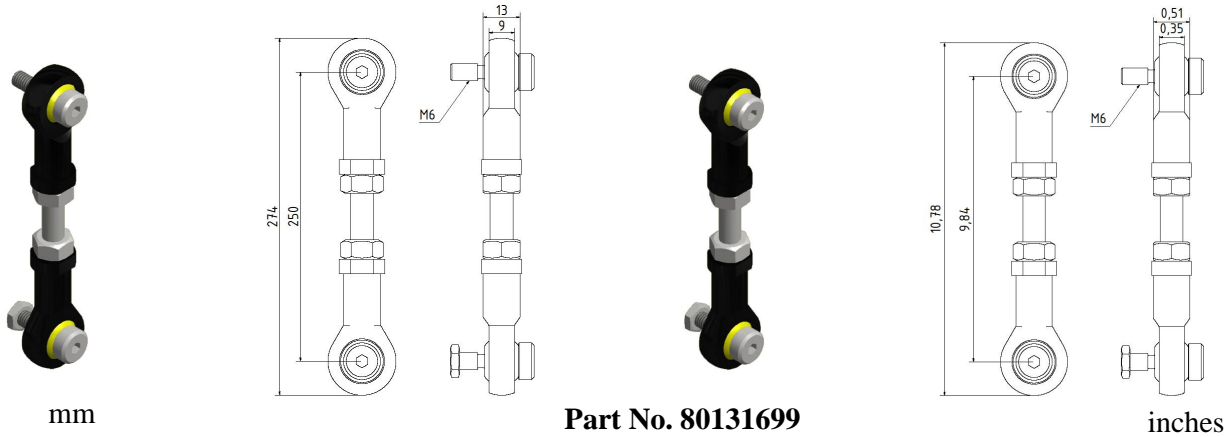
mm

Part No. 80131884



inches

Torque Arm:



Examples of mounting anti-rotation device:

