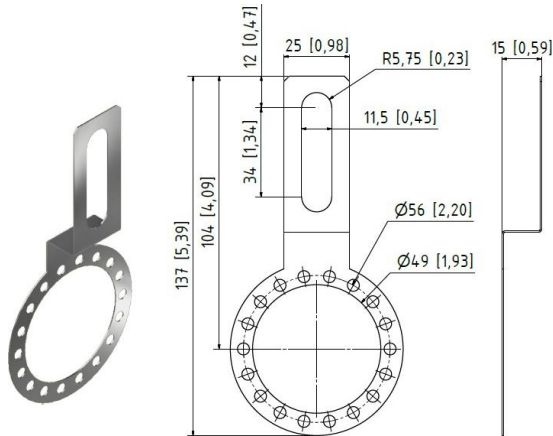


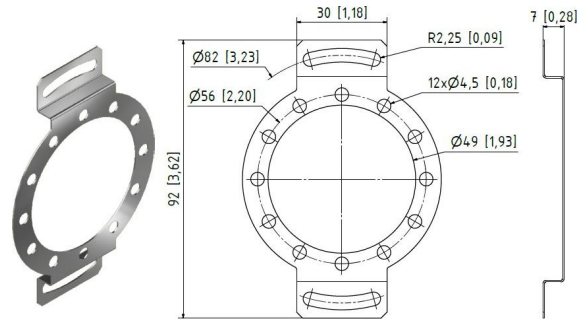


### Anti-Rotation Spring Couplings:



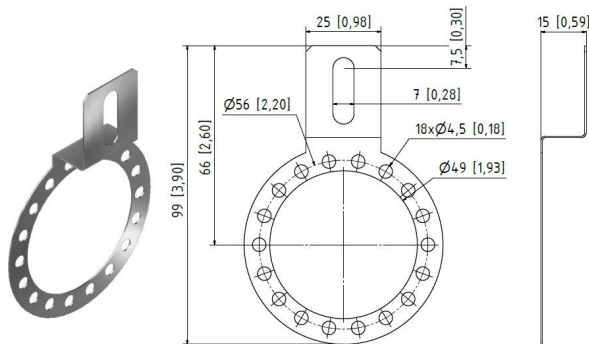
**Option S1 – Tether**  
 p/n 80131017

mm (inches)



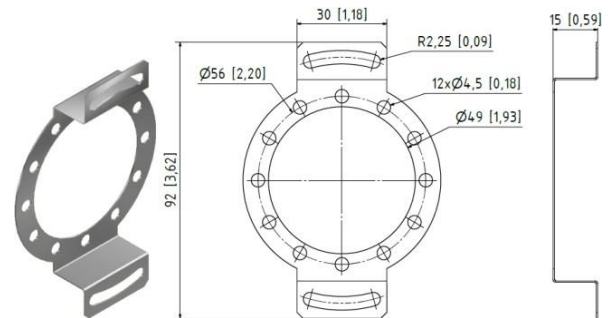
**Option S2 – 2-hole Spring**  
 p/n 80131067

mm (inches)



**Option S3 – Short Tether**  
 p/n 80132464

mm (inches)



**Option S4 – 2-hole Spring**  
 p/n 80131062

mm (inches)

### Mating Connectors:



**Locking Sleeve**



**Example:**  
 4-socket Female Connector  
 option w/ molded cable

**SubConn Mating Connector**

Contact: MacArtney, Inc  
[www.macartney.com](http://www.macartney.com)