



Type SCA50

- Shaft Encoder - \varnothing 50 mm
- Shaft: \varnothing 6 mm to \varnothing 12 mm
- Resolution up to 12.500 ppr
- IP 65 (IP 67 option)
- Formerly named 2R or 2R-3L

Electrical Specifications

Code:	Incremental
Resolution:	1 to 12.500 ppr (pulses per revolution)
Supply Voltage:	4,5 Vdc min. to 30 Vdc max. (45 mA max. - no load) **
Output Voltage:	Low: 500 mV max. at 10 mA High: ($V_{in} - 0,6$) at -10 mA ($V_{in} - 1,3$) at -25 mA
Output Current:	30 mA max. load per output channel **
Frequency Response:	300 kHz max. **
Output Format:	Two channel (A, B) quadrature with Index (Z) and optional complementary (A-, B-, Z-) outputs
Phase Sense:	A leads B clockwise (CW) from the mounting end of the encoder
Index:	Gated with Channels A and B high
Accuracy:	+/- 0,8 arc-min.
Outputs:	ASIC Push pull and Differential OL7272 Push-pull and Differential Line Driver 26C31 Differential Line Driver 5V output (with 5V input)
Electrical Protection:	Reverse polarity and output short circuit protected
Noise Immunity:	Tested to EN61000-6-2 : 2005 (industrial environments) Electromagnetic compatibility (EMC) and EN 61000-6-3 : 2007 (residential, commercial, and light-industrial environments) for Electromagnetic compatibility (EMC)

**= It is recommended user not to combine max. Value for all 3 parameters

Mechanical Specifications

Material:	Housing: Aluminum Cap: Electroplated Aluminum Shaft: Stainless Steel
Weight:	Encoder: ~ 140 gr (4,94 oz) Cable: 60 gr / meter (2,12 oz / meter)
Bearing Life:	> $1,9 \times 10^{10}$ revolutions at rated load
Shaft Speed:	12.000 rpm (max.)
Starting Torque:	< 0,01 Nm (1,42 oz-in) at 25° C
Mass Moment of Inertia:	2,0 gcm ² ($2,83 \times 10^{-5}$ oz-in-sec ²)
Shaft Loads:	Axial: 20 N (4.5 lbs) max. Radial: 20 N (4.5 lbs) max.

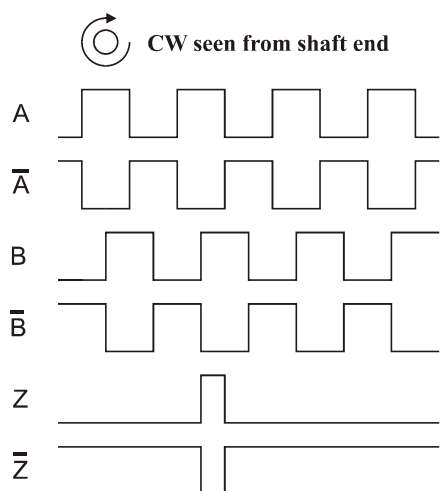
Environmental Specifications

Operating Temp.:	-40° to +100° C
Storage Temp.:	-40° to +100° C
Shock:	100 G / 11 ms
Vibration:	10-2000 Hz / 10 G
Bump:	10 G / 16 ms (1000 x 3 axis)
Humidity:	98 % RH without condensation
Enclosure Rating:	IP 65 / Nema 4 (approx.) IP 67 / Nema 6 (approx.) option

Connection Options

Cable:	8 leads (0,14 mm ² , 26 AWG) - Differential 5 leads (0,14 mm ² , 26 AWG) - Standard twisted pairs; shielded
Connector:	5-pin M12 - Standard 8-pin M12 - Differential 9-pin M23 - Standard 12-pin M23 - Differential

Output waveform



Channel tolerance $180\text{ e}^\circ \pm 36\text{ e}^\circ$
 Phase difference tolerance $90\text{ e}^\circ \pm 18\text{ e}^\circ$
 Z channel tolerance $90\text{ e}^\circ \pm 18\text{ e}^\circ$

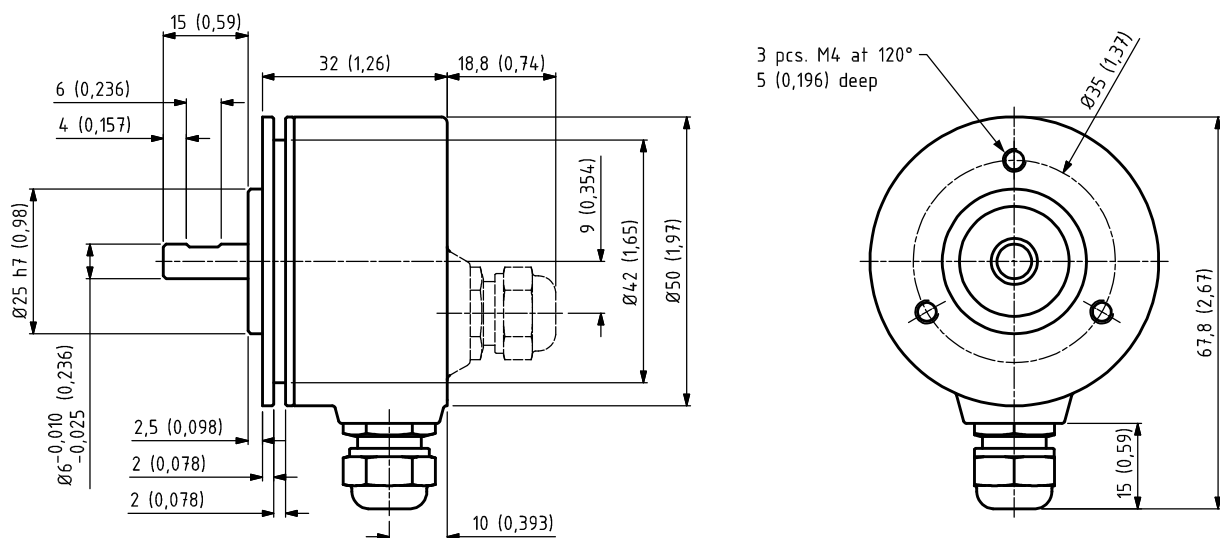
Disk Resolutions (Pulses per revolution)

1	32	125	720	3072
2	36	150	800	3600
5	40	180	1000	4000
6	45	200	1024	4096
7	47	250	1131	5000
8	50	256	1200	8192
10	60	300	1250	9000*
12	64	360	1270	10000*
15	70	400	1500	12500*
16	75	455	2000	
18	80	500	2048	
20	90	512	2400	
25	100	600	2500	
30	120	635	3000	

Other options on request
 Pulses per revolution,
 min. 1 – max. 12.500

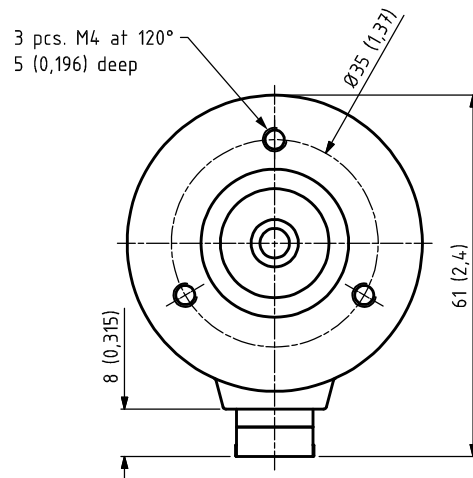
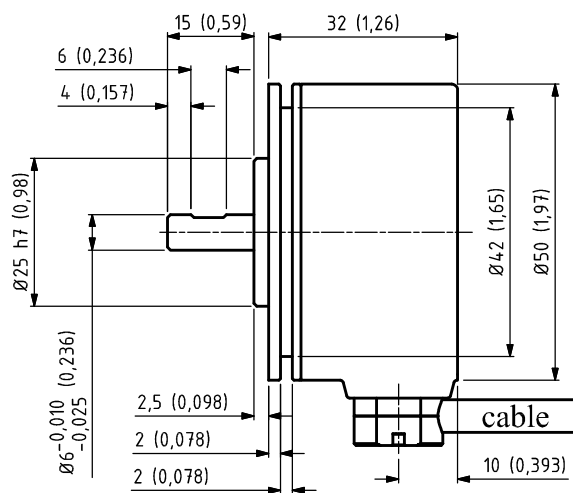
* Operating temperature: -20°C to 50°C

Mechanical Dimensions



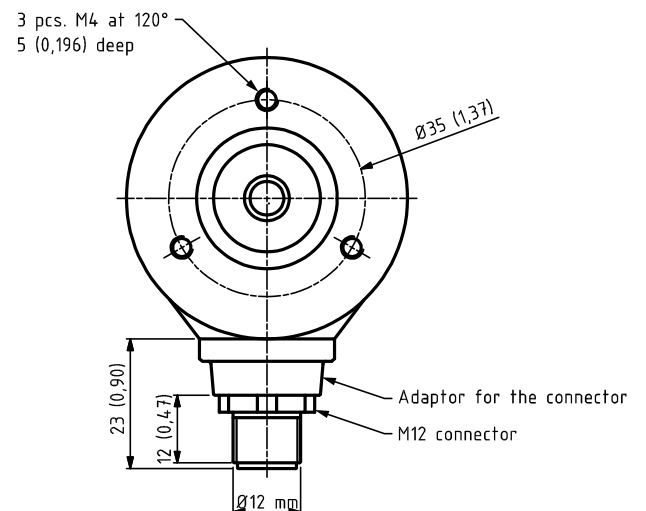
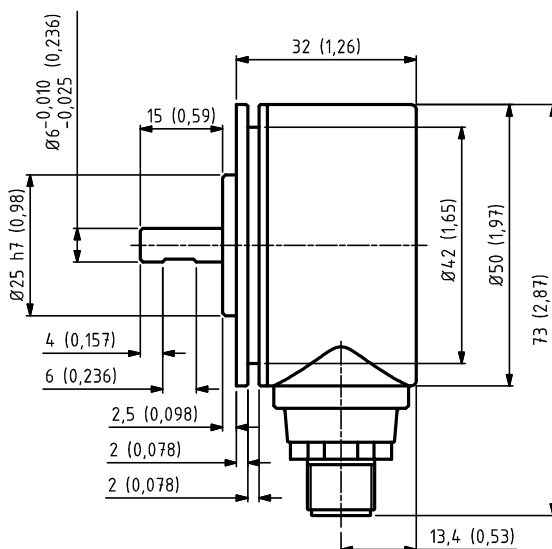
Standard Cable Gland
 Side (S) or Back (B)

mm (inches)



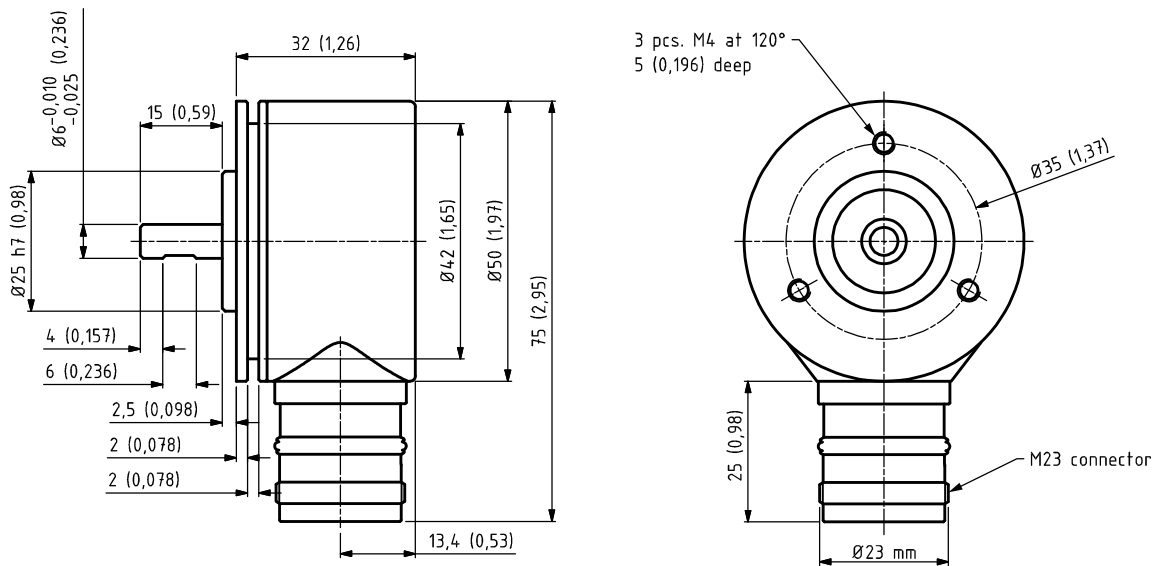
Tangential Cable Gland

mm (inches)



M12 Connector

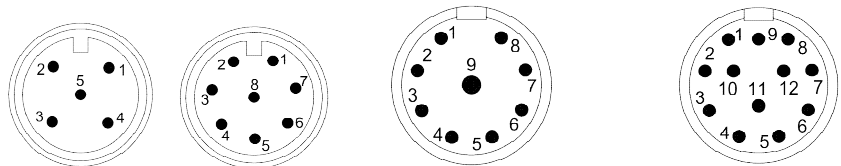
mm (inches)



M23 Connector

mm (inches)

Output Terminations



Channel	Standard Cable		Pin	M12	M12	M23	M23	M23	M23
	Standard Output	Differential Output		5 - pin	8 - pin	9 - pin	9 - pin	12 - pin	12 - pin
			Channel	Channel	Channel	Channel	Channel	Channel	Channel
A	Pink	Pink	1	Vsup	A	A	A	GND	B -
A -	Gray*	Gray	2	B	Vsup	B	B	NC	NC
B	Green	Green	3	GND	A -	Z	Z	Z	Z
B -	Yellow*	Yellow	4	A	B	GND	A -	GND	Z -
Z	White	White	5	Z	B -	GND	B -	A	A
Z -	Brown*	Brown	6		Z	GND	Z -	GND	A -
Vsup	Red	Red	7		GND	Vsup	Vsup	NC	NC
GND	Blue	Blue	8		Z -	GND	GND	B	B
			9			Shield	Shield	Shield	Shield
			10					GND	GND
			11					NC	NC
			12					Vsup	Vsup

GND = Circuit Ground

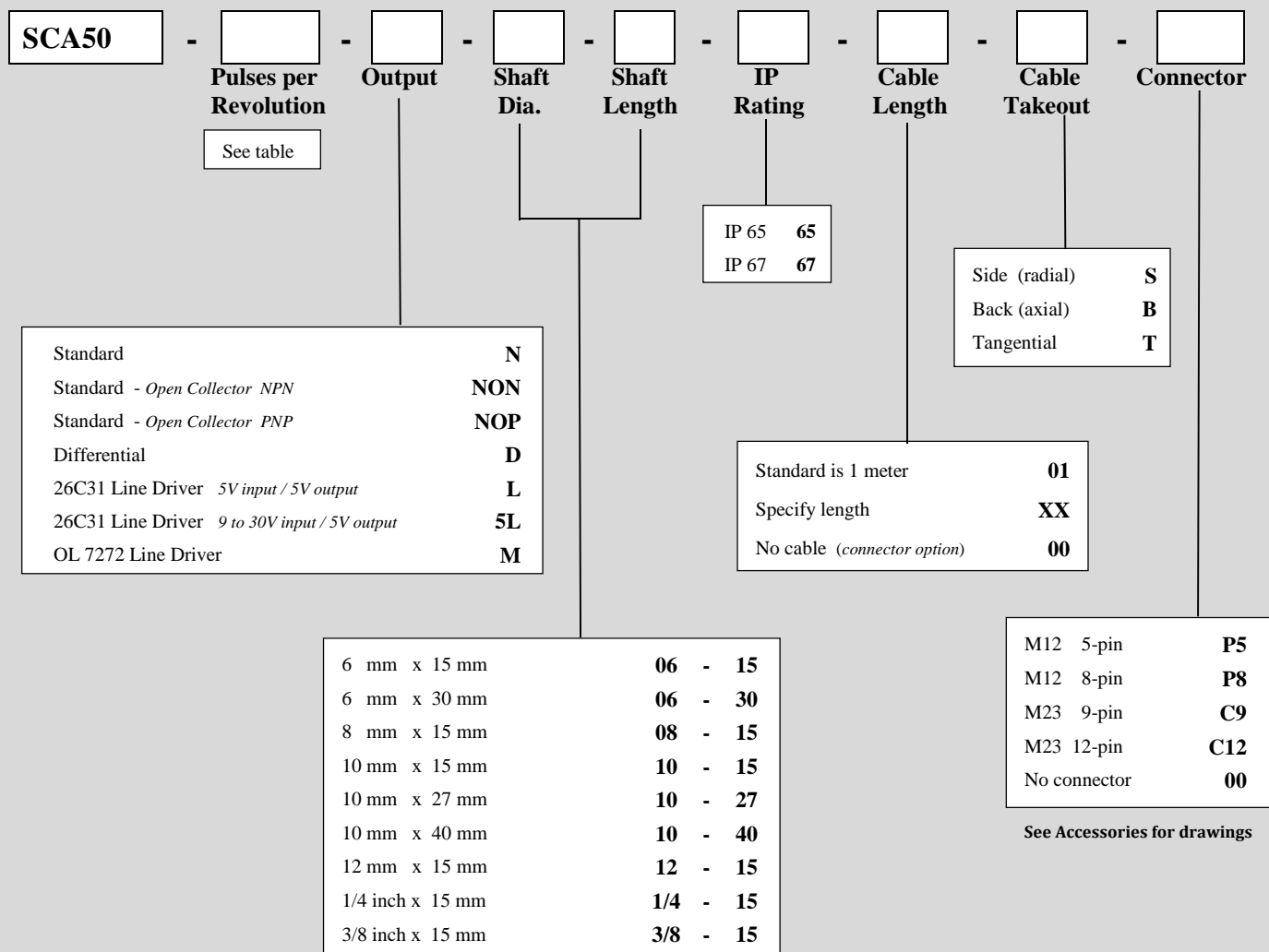
* Internally connected as GND

GND = Circuit Ground

Shield = Case Ground

Ordering Code

Example: SCA50 – 1024 – D – 06 – 15 – 65 – 01 – S – 00



See Accessories for drawings

Other options on request:
 Please contact Scancon A/S