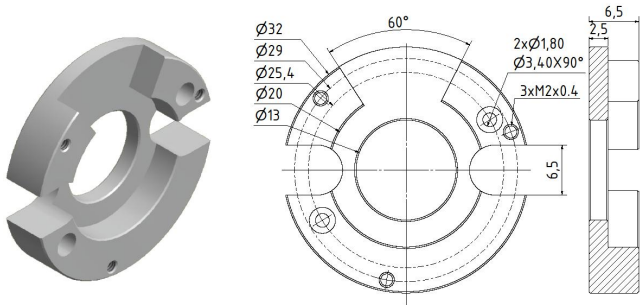


Flange for 2RMHF

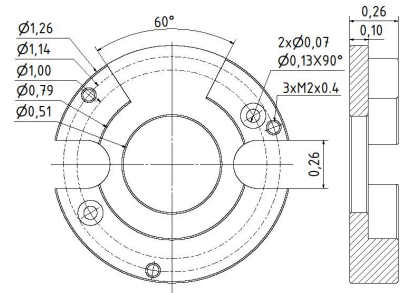


For Maxon RE35

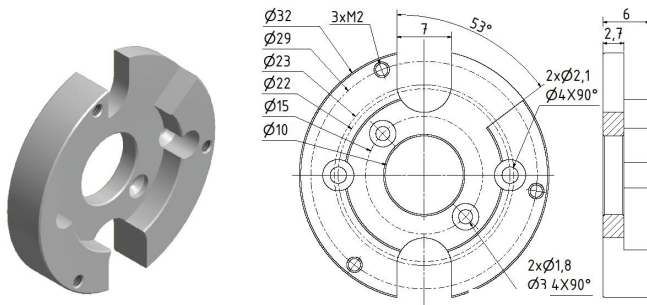
mm

Part No. 80131989

Material: Aluminium



inches

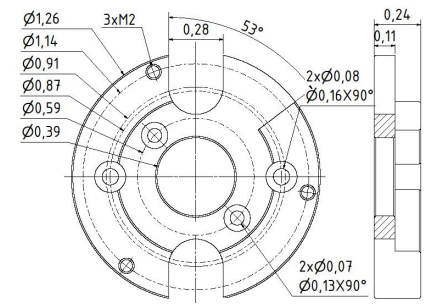


For Maxon RE30

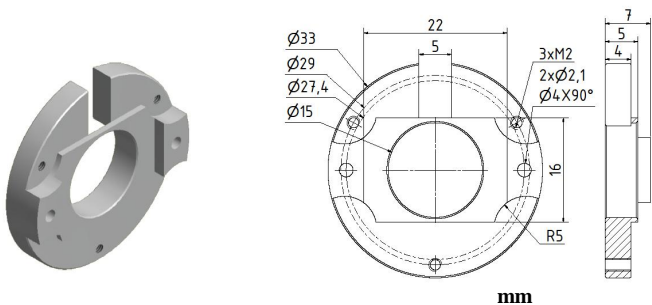
mm

Part No. 80131984

Material: Aluminium



inches

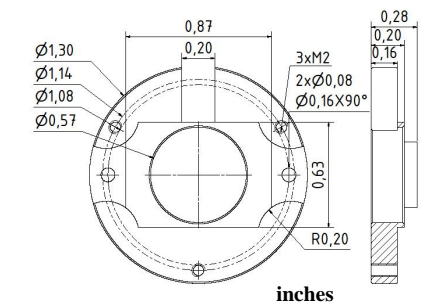


For Faulhaber DC 3557 K

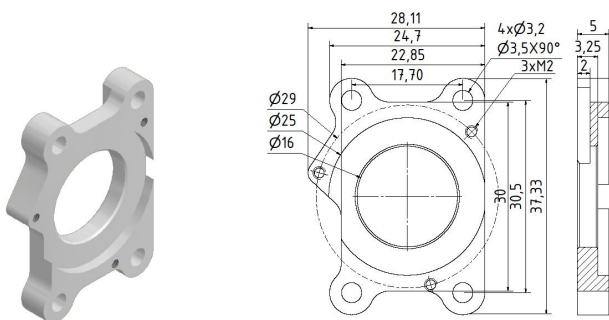
mm

Part No. 80148415

Material: Aluminium



inches

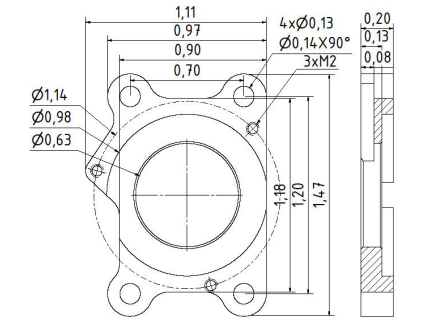


For Maxon EC45

mm

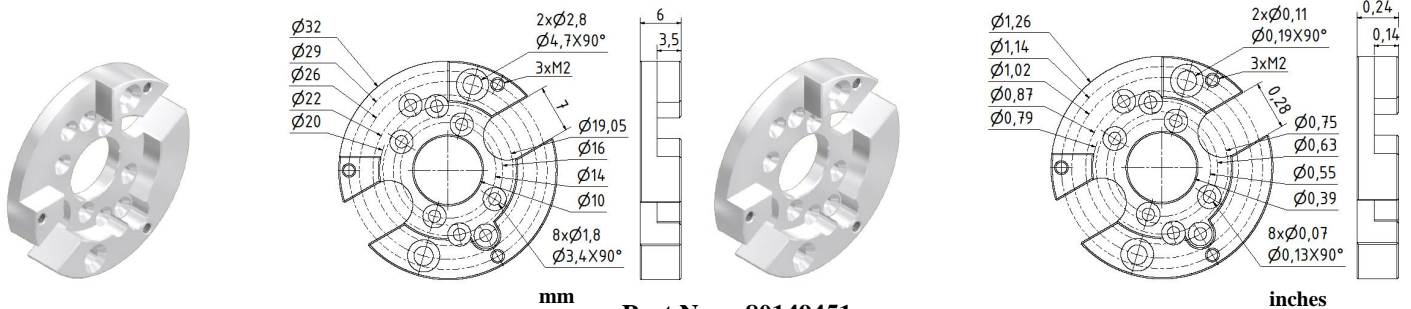
Part No. 80131086

Material: Aluminium



inches

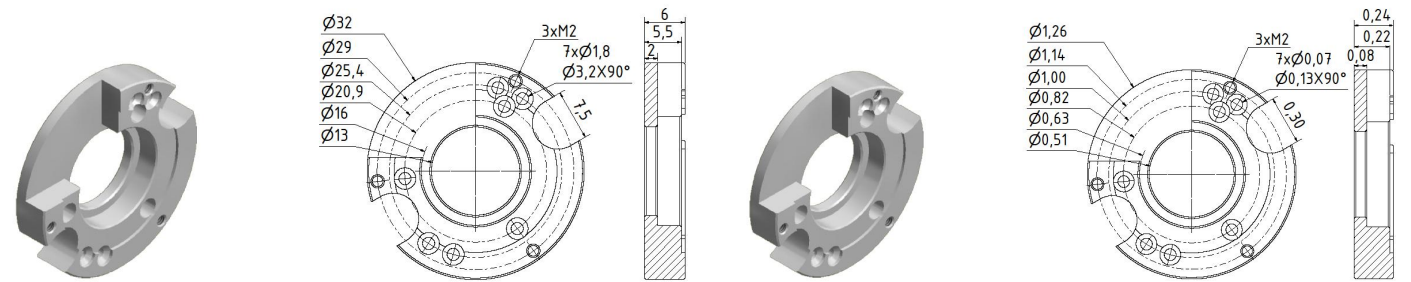
Flange for 2RMHF



For Maxon RE25/A-Max22/REmax24

Part No. 8014951

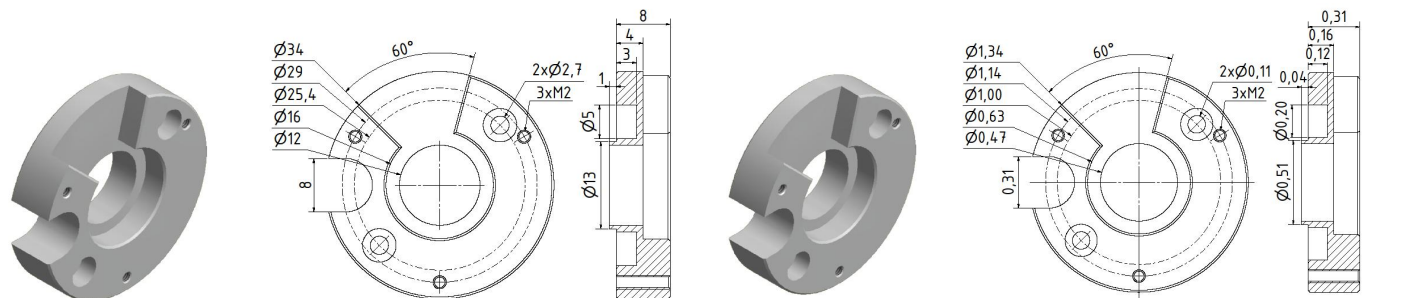
Material: Aluminium



For Maxon RE32/RE35/RE36/RE40

Part No. 80149068

Material: Aluminium

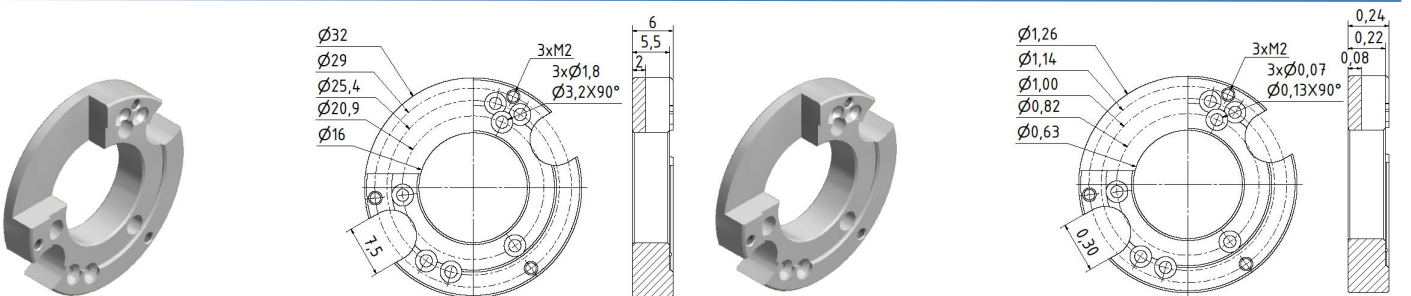


mm

Part No. 80131412

Material: Aluminium

inches



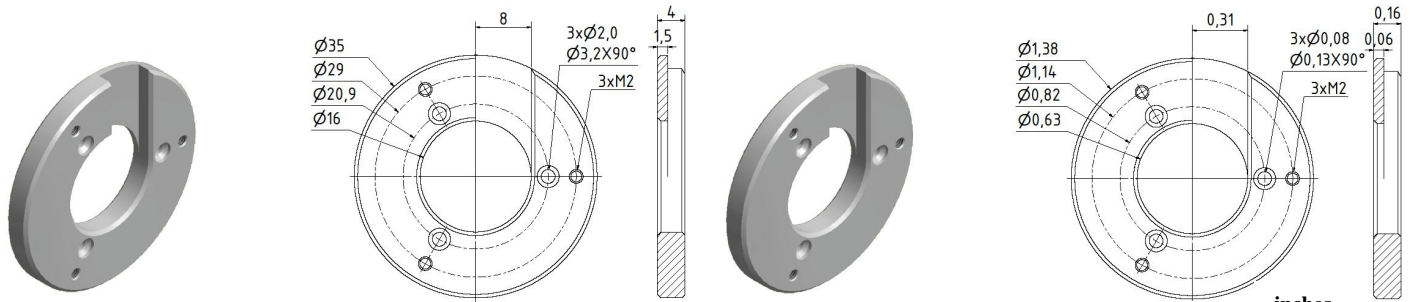
For Maxon

Part No. 80132549

Material: Aluminium

inches

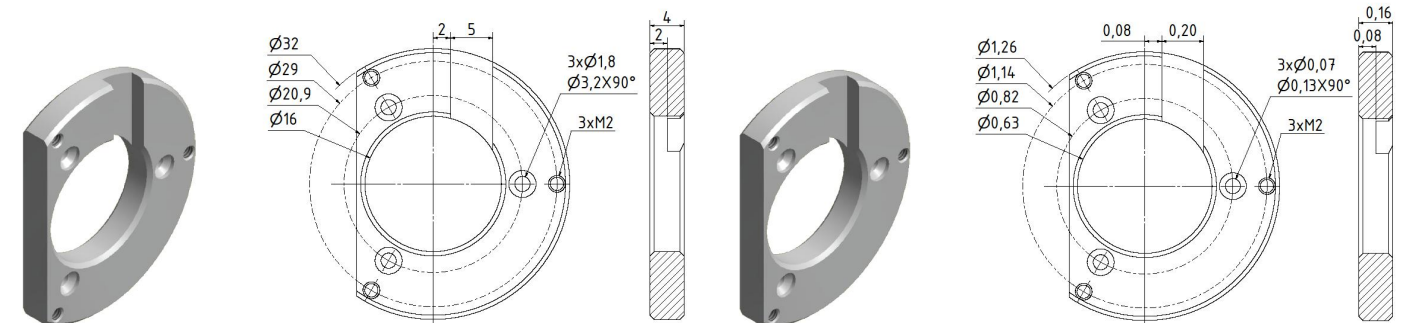
Flange for 2RMHF



For Minimotor 35

Part No. 80148260

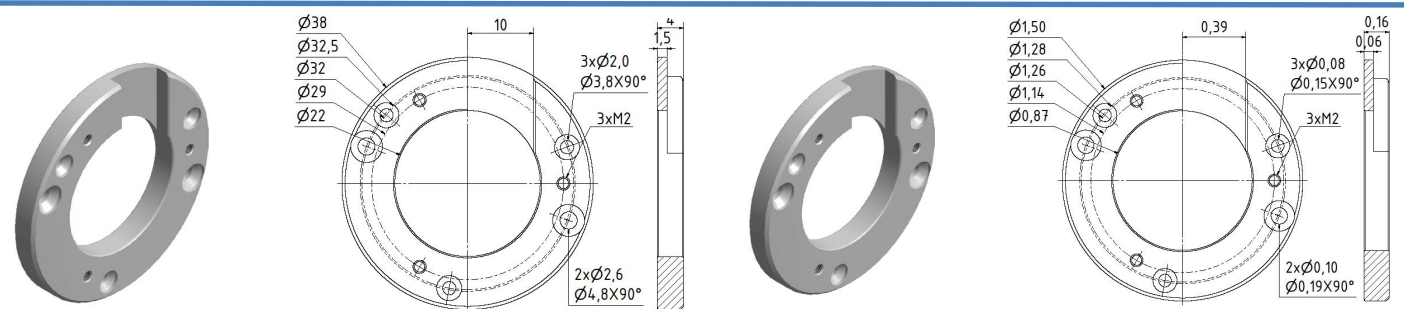
Material: Aluminium



For Maxon EC4032/Max30

Part No. 80148269

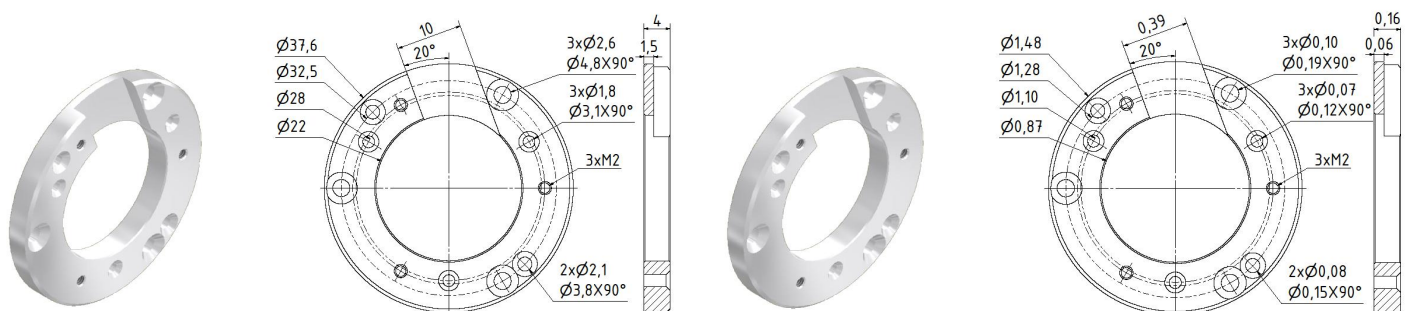
Material: Aluminium



For Minimotor 38-40

Part No. 80149626

Material: Aluminium

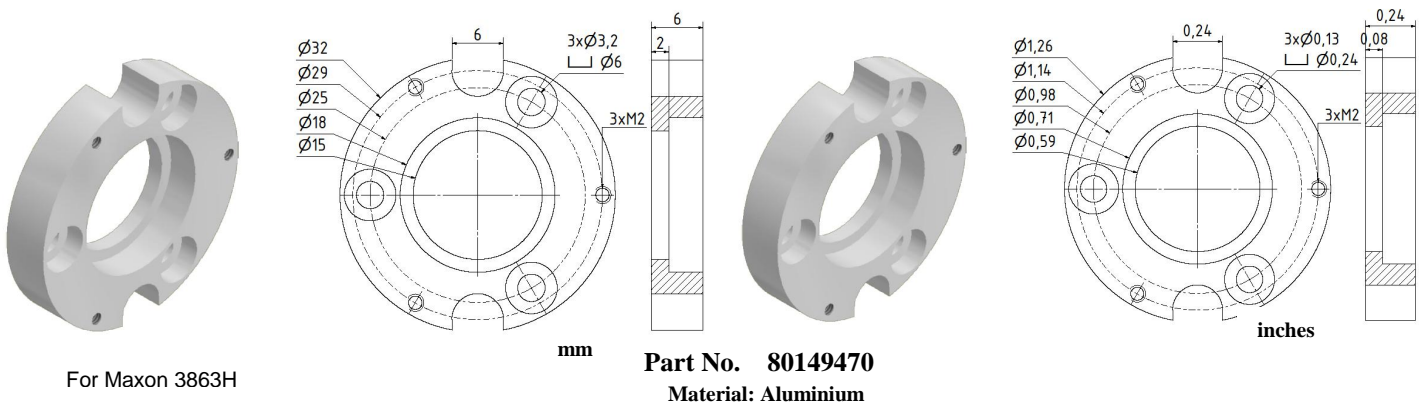
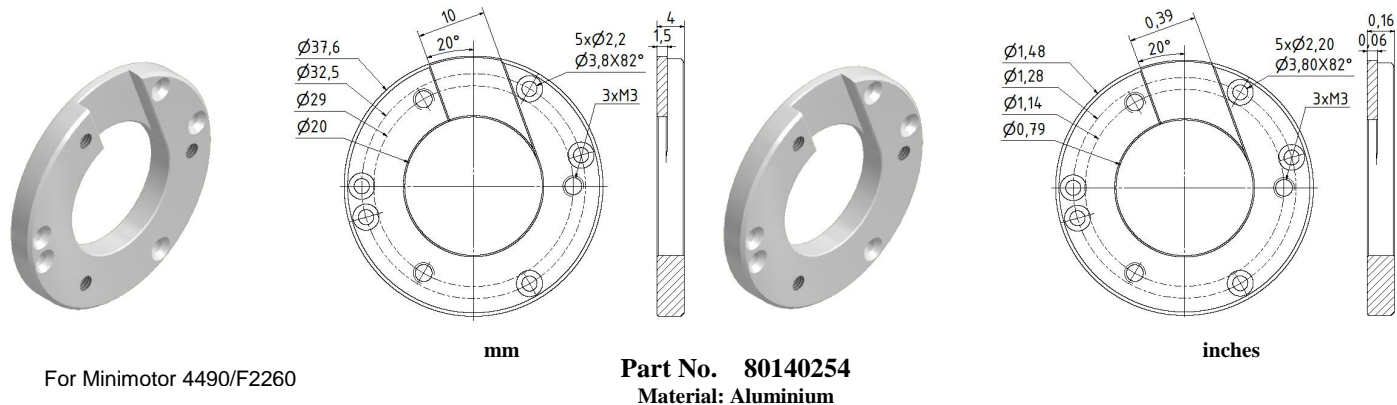
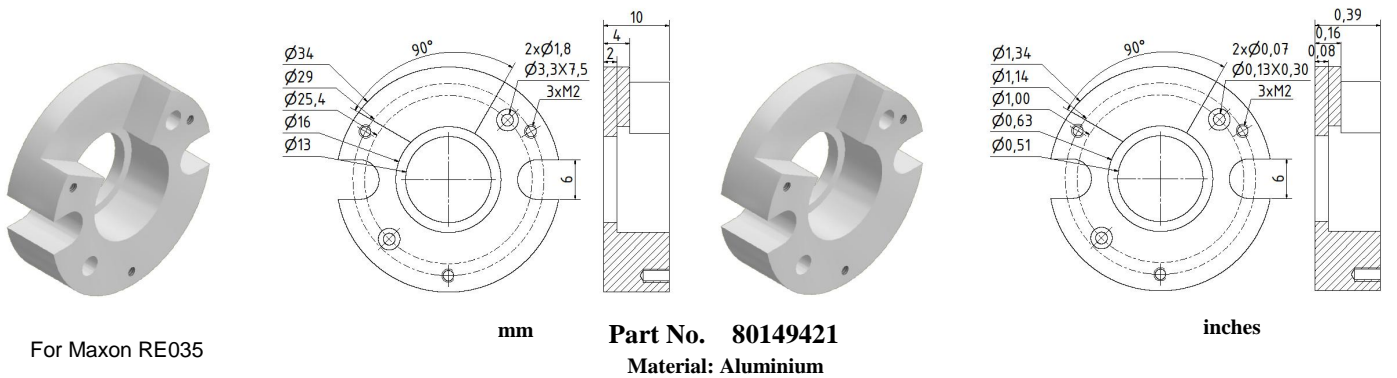
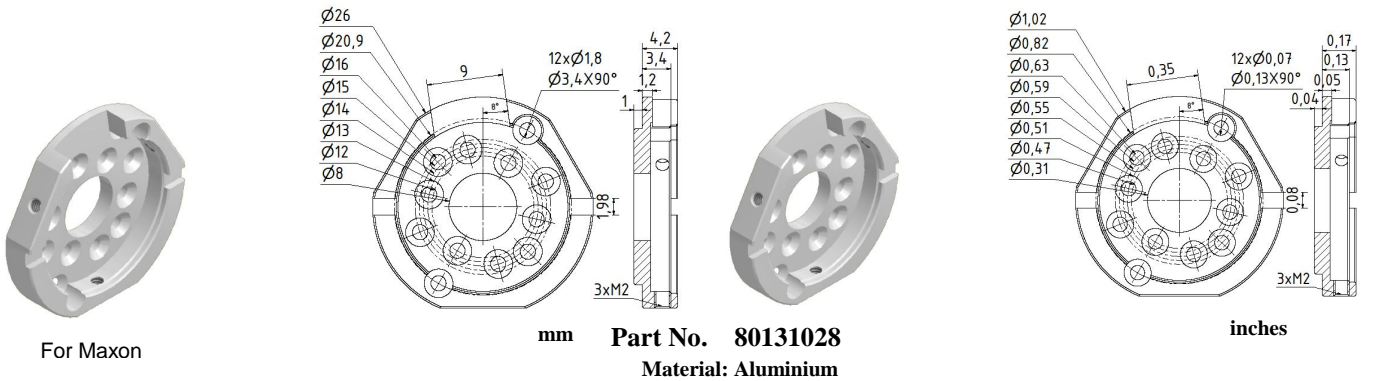


For Minimotor Kern7eC/4490

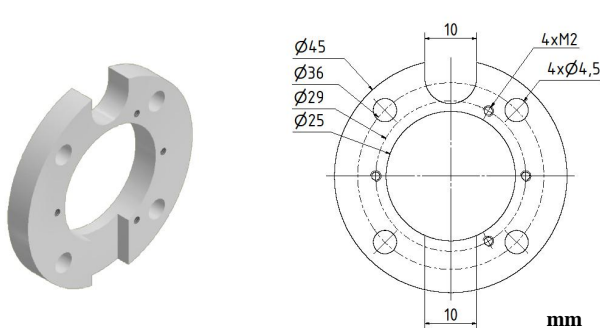
Part No. 80149666

Material: Aluminium

Flange for 2RMHF



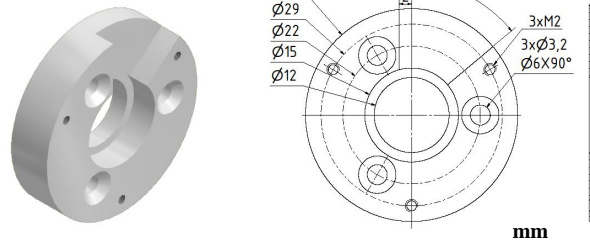
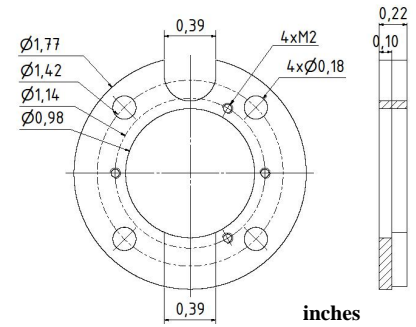
Flange for 2RMHF



For Dunker E90/GR63

Part No. 80148435

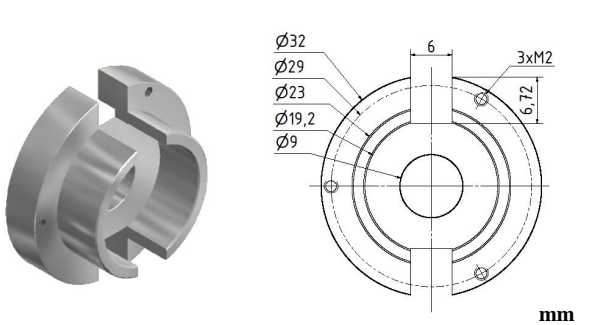
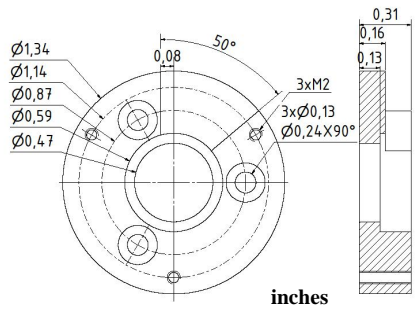
Material: Aluminium



For Maxon

Part No. 80149628

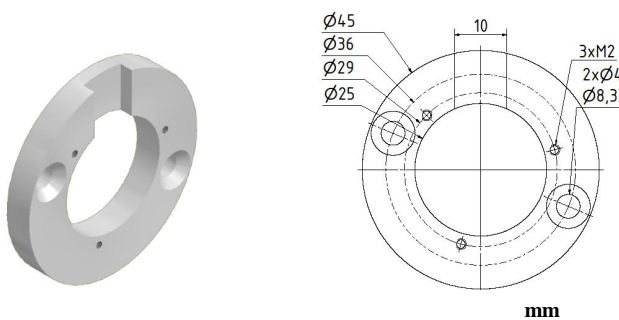
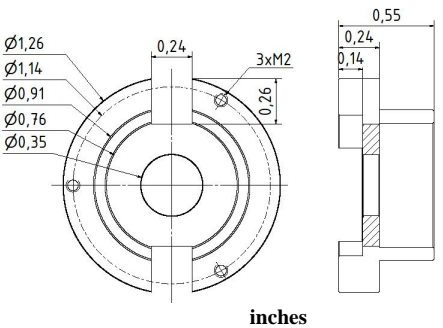
Material: Aluminium



For Maxon RE13/RE16

Part No. 80130979

Material: Aluminium



Part No. 80148437

Material: Aluminium

