

Type SCH24AB



- Hollow Shaft Encoder - \varnothing 24 mm
- Absolute Singleturn
- SSI Interface
- Hollow Bore: \varnothing 3 mm to \varnothing 1/4 inch
- IP 64 (IP 50 for IDC connector option)

Electrical Specifications

Encoder Type:	Absolute Magnetic Singleturn	
Interface type:	SSI	
Resolution:	12 bit	
Supply Voltage:	5 V and 3,3 V	
Supply Current:	25 mA typical	
In/Output Standard:	Single ended	
Mode:	12 Bit (Slow mode)	12 Bit (Fast mode)
Update Time:	384 μ s	96 μ s
Accuracy:	+/- 0,3 °	
Noise Immunity:	Tested to EN61000-6-2 : 2005 (industrial environments) Electromagnetic compatibility (EMC) and EN 61000-6-3 : 2007 (residential, commercial, and light-industrial environments) for Electromagnetic compatibility (EMC)	

Mechanical Specifications

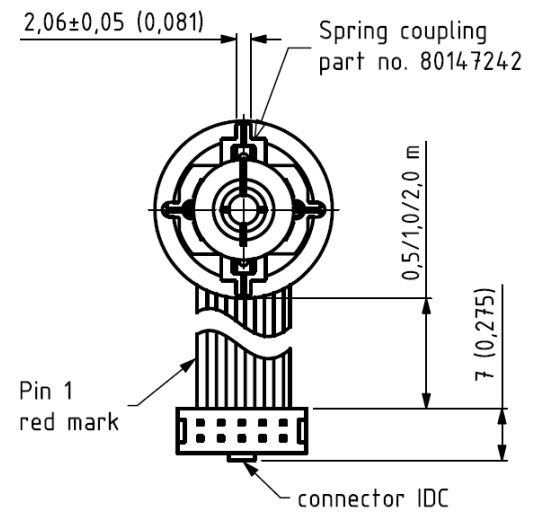
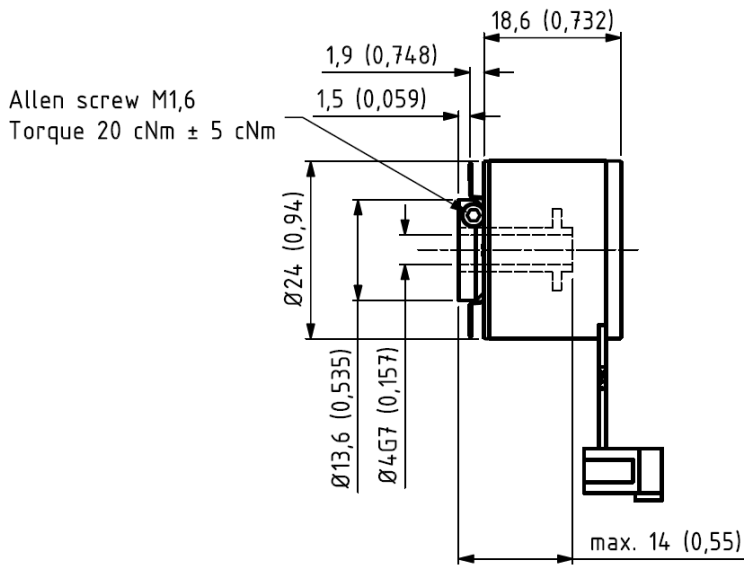
Material:	Housing: Brass Cap: Aluminum Hollow Shaft: Brass
Weight:	Encoder: ~ 35 gr (1,23 oz) Cable: 50 gr / meter (1,76 oz / meter)
Bearing Life:	> 1,9 x 10 ¹⁰ revolutions at rated load
Shaft Speed:	10.000 rpm (max.)
Starting Torque:	< 0,005 Nm (0,708 oz-in) at 25° C
Mass Moment of Inertia:	1,3 gcm ² (1,82 x 10 ⁻⁵ oz-in-sec ²)
Shaft Loads:	Axial: 20 N (4,5 lbs) max. Radial: 20 N (4,5lbs) max.

Environmental Specifications

Operating Temp.:	-40° to +100° C
Storage Temp.:	-40° to +100° C
Shock:	10 G / 11 ms
Vibration:	10-2000 Hz / 10 G
Bump:	10 G / 16 ms (1000 x 3 axis)
Humidity:	98 % RH without condensation
Enclosure Rating:	IP 64 / Nema 4 (approx.) IP 50 / Nema 5 (approx.) - flat cable

Connection Options

Cable:	5 leads (0,14 mm ² , 26 AWG)
Flat Cable:	10 lead flat cable with IDC connector



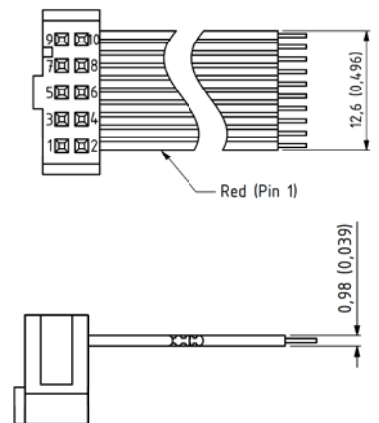
Flat Ribbon Cable with IDC connector

mm (inches)

Connections

Standard Cable		Flat Cable w/ IDC Connector	
Wire Color	Connection	Pin no.	Connection
Green	CSn	1	Do Not Connect
Yellow	CLK	2	CSn
Gray	DO	3	DO
Brown	Vsup	4	CLK
White	GND	5	Vsup
		6	GND
		7	No Connection
		8	No Connection
		9	No Connection
		10	No Connection

GND = Circuit Ground

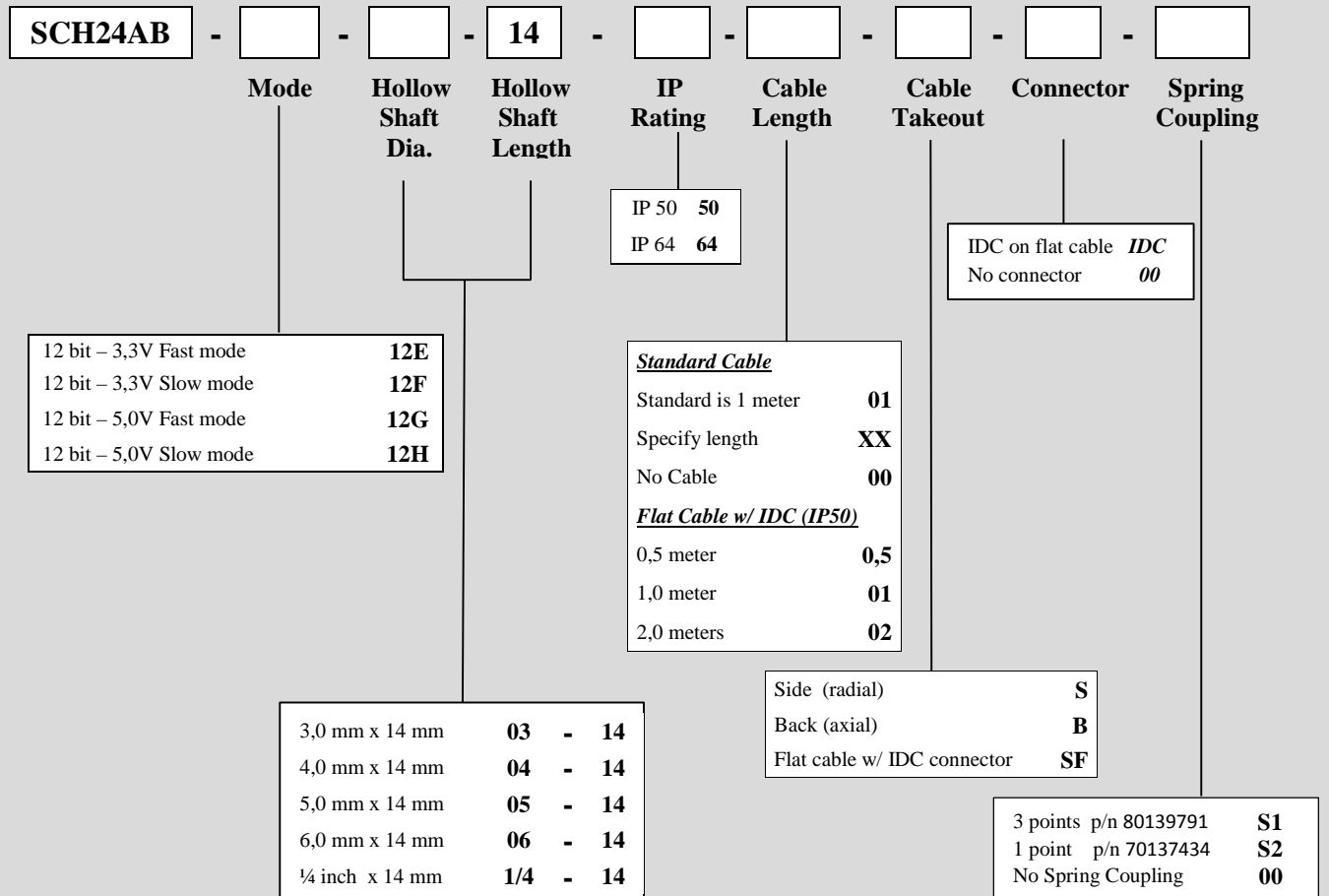


With flat cable: mm (inches)

- IP 50 rating only
- CE mark not available
- 0,5 m, 1 m, or 2 m cable length only

Ordering Code

Example: SCH24AB – 12E – 03 – 14 – 64 – 01 – S – 00 – S1



See Accessories for drawings

Other options on request
Please contact Scancon A/S