

Type SCH50IB-SR



- Hollow Shaft Encoder - \varnothing 50 mm
- Hollow Bore: \varnothing 8 mm to \varnothing 16 mm
- Stainless Steel - AISI 303
- Resolution up to 9000 ppr
- IP 67

Electrical Specifications

Code:	Incremental
Resolution:	Up to 9.000 ppr (pulses per revolution)
Supply Voltage:	4,5 Vdc min. to 30 Vdc max. (35 mA max. - no load) **
Output Voltage:	Low: 500 mV max. at 10 mA ** High: ($V_{in} - 0,6$) at -10 mA ($V_{in} - 1,3$) at -25 mA
Output Current:	30 mA max. load per output channel
Frequency Response:	300 kHz max. **
Output Format:	Two channel (A, B) quadrature with Index (Z) and optional complementary (A-, B-, Z-) outputs
Phase Sense:	A leads B clockwise (CW) from the mounting end of the encoder
Index:	Gated with Channels A and B high
Accuracy:	+/- 0,8 arc-min.
Outputs:	ASIC Push pull and Differential OL7272 Push-pull and Differential Line Driver 26C31 Differential Line Driver 5V output (with 5V input)
Electrical Protection:	Reverse polarity and output short circuit protected
Noise Immunity:	Tested to EN61000-6-2 : 2005 (industrial environments) Electromagnetic compatibility (EMC) and EN 61000-6-3 : 2007 (residential, commercial, and light-industrial environments) for Electromagnetic compatibility (EMC)

**= It is recommended user not to combine max. value for all 3 parameters

Mechanical Specifications

Material:	Housing: Stainless Steel - AISI 303 Cap: Stainless Steel - AISI 303 Hollow Shaft: Stainless Steel - AISI 303
Weight:	Encoder: ~ 245 gr (8,64 oz) Cable: 60 gr / meter (2,12 oz / meter)
Bearing Life:	> $1,9 \times 10^{10}$ revolutions at rated load
Shaft Speed:	6.000 rpm (max.)
Starting Torque:	< 0,01 Nm (1,42 oz-in) at 25° C
Mass Moment of Inertia:	2,0 gcm ² ($2,83 \times 10^{-5}$ oz-in-sec ²)
Hollow Shaft Loads:	Axial: 20 N (4,5 lbs) max. Radial: 20 N (4,5 lbs) max.

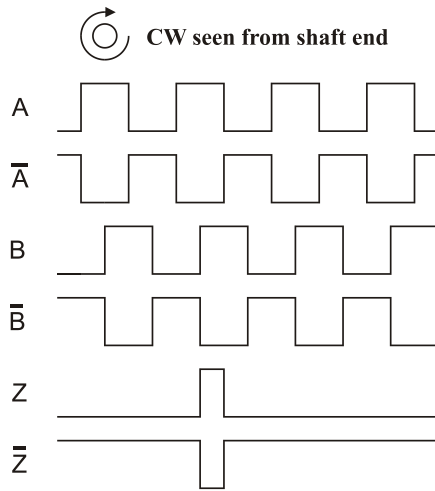
Environmental Specifications

Operating Temp.:	-40° to +85° C
Storage Temp.:	-40° to +85° C
Shock:	100 G / 11 ms
Vibration:	10-2000 Hz / 10 G
Bump:	10 G / 16 ms (1000 x 3 axis)
Humidity:	98 % RH without condensation
Enclosure Rating:	IP 67 / Nema 6 (approx.)

Connection Options

Cable:	8 leads (0,14 mm ² , 26 AWG) twisted pairs; shielded
---------------	---

Output waveform



Channel tolerance $180^\circ \pm 36^\circ$
Phase difference tolerance $90^\circ \pm 18^\circ$
Z channel tolerance $90^\circ \pm 18^\circ$

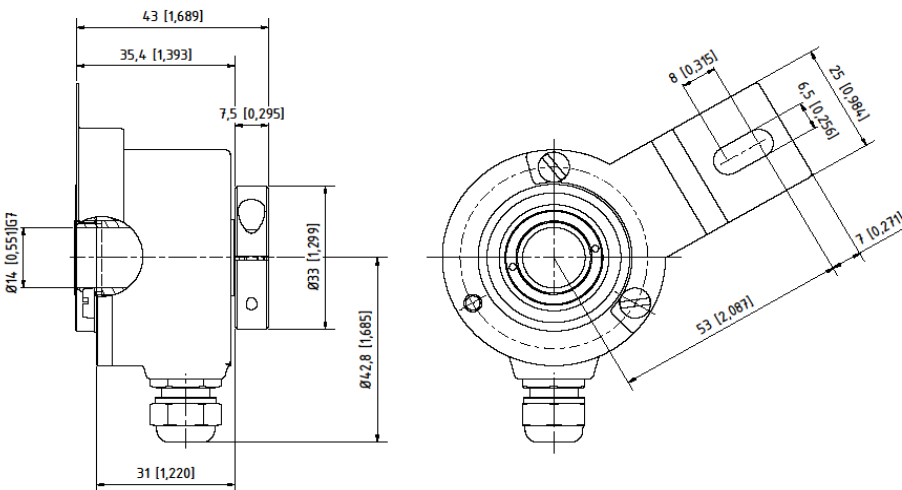
Disk Resolutions (Pulses per revolution)

1	32	125	720	3000
2	36	150	800	3072
5	40	180	1000	3600
6	45	200	1000	4000
7	47	250	1024	4096
8	50	256	1131	5000
10	60	300	1200	8192
12	64	360	1250	9000*
15	70	400	1270	
16	75	455	1500	
18	80	500	2000	
20	90	512	2048	
25	100	600	2400	
30	120	635	2500	

Other options on request
 Pulses per revolution,
 min. 1 – max. 9.000

* Operating temperature: -20°C to 50°C

Mechanical Dimensions

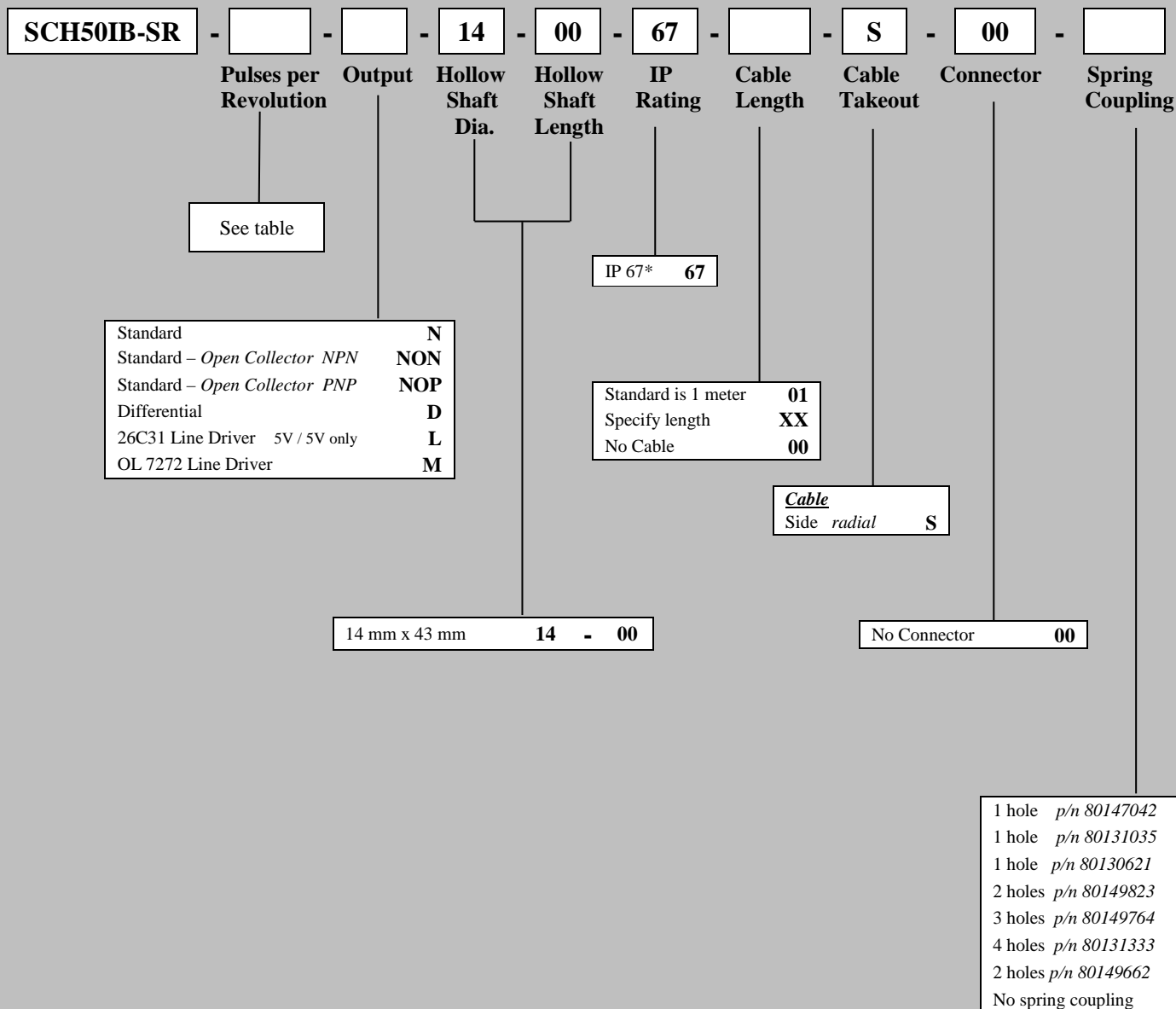


Output Termination

Channel	Standard Output	Differential Output
	Wire Color	
A	Pink	Pink
A -	Gray*	Gray
B	Green	Green
B -	Yellow*	Yellow
Z	White	White
Z -	Brown*	Brown
Vsup	Red	Red
GND	Blue	Blue

Ordering Code

Example: SCH50IB-SR - 1024 - D - 14 - 00 - 65 - 01 - S - 00 - S1



See Accessories for drawings

Other options on request:
Please contact Scancon A/S