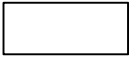

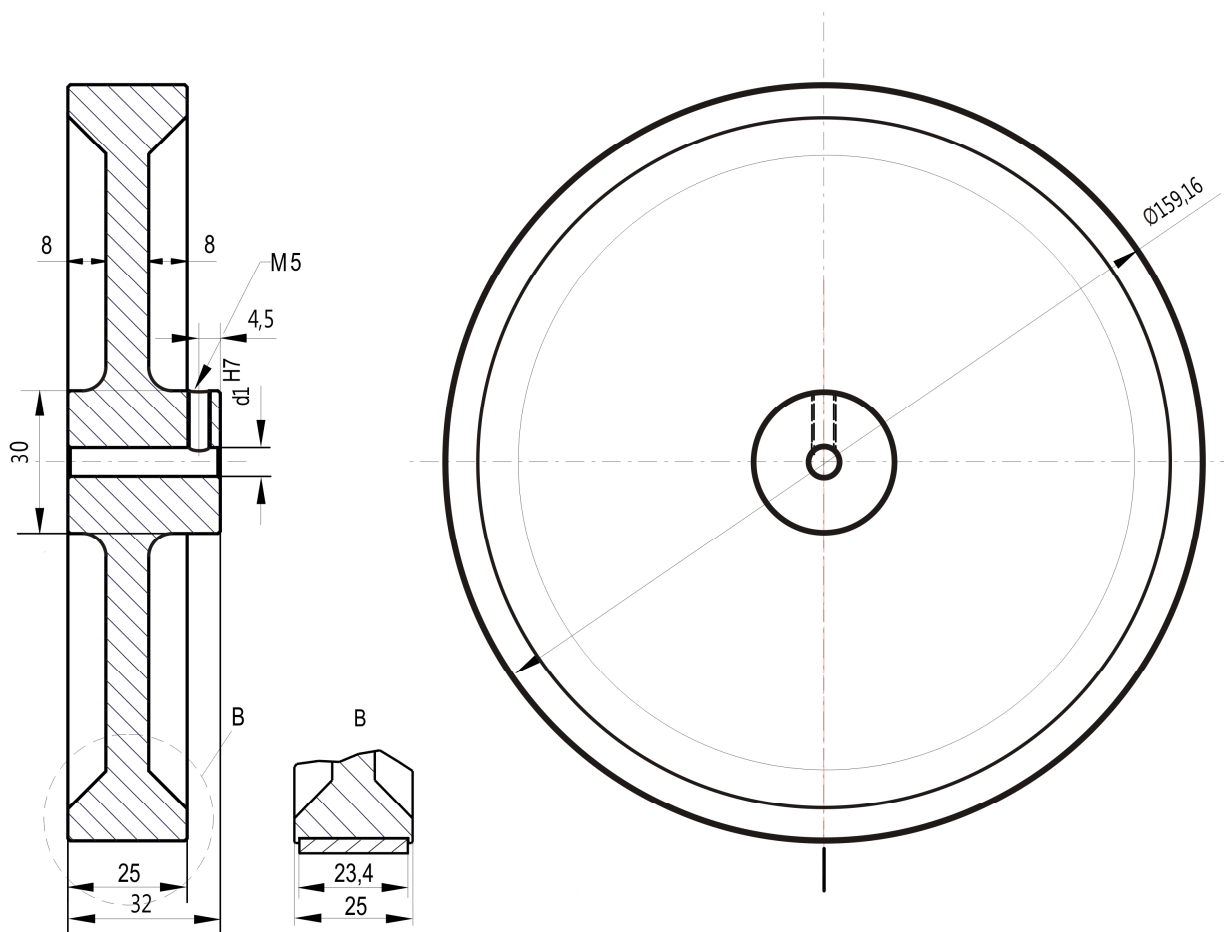


Measuring wheel 500 mm in circumference

Technical data:	MRAR 500	MRAP 500	MRAN 500	MRAG 500
Material core	Aluminium	Aluminium	Aluminium	Aluminium
Material surface	Aluminium	polyurethane	Polyurethane	polyurethane
Surface structure	Crosshatched	Smooth	Studded	Corrugeted
Profile				
Circumference	500 mm $\pm 0,2$	500 mm $\pm 0,2$	500 mm $\pm 0,2$	500 mm $\pm 0,2$
Moment of inertia	$24,5 \times 10^3 \text{ gcm}^2$	$21,6 \times 10^3 \text{ gcm}^2$	$22,2 \times 10^3 \text{ gcm}^2$	$22,6 \times 10^3 \text{ gcm}^2$
Weight	775 g	700 g	700 g	700 g



10	MRAR 500 10	07400074	*
12	MRAR 500 12	07400075	*
10	MRAP 500 10	07400076	*
12	MRAP 500 12	07400077	*
10	MRAN 500 10	07400078	*
12	MRAN 500 12	07400079	*
10	MRAG 500 10	07400044	
12	MRAG 500 12	07400080	*

*Not on stock