


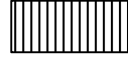
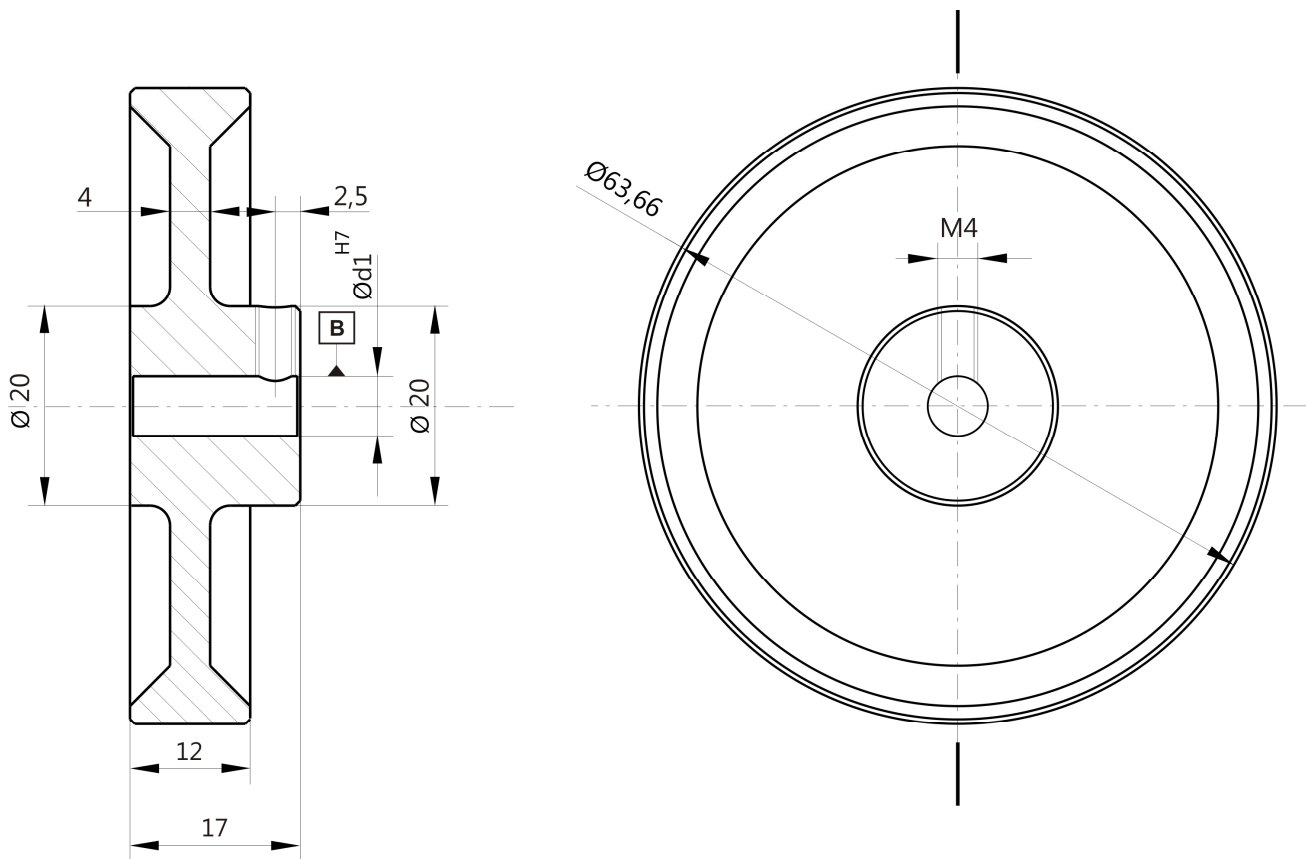


## Measuring wheel 200 mm in circumference

Technical data:	MRAR 200	MRAP 200	MRAN 200	MRAG 200
Material core	Aluminium	Aluminium	Aluminium	Aluminium
Material surface	Aluminium	polyurethane	Polyurethane	polyurethane
Surface structure	Crosshatched	Smooth	Studded	Corrugeted
Profile				
Circumference	200 mm $\pm$ 0,2	200 mm $\pm$ 0,2	200 mm $\pm$ 0,2	200 mm $\pm$ 0,2
Moment of inertia	310 gcm <sup>2</sup>	310 gcm <sup>2</sup>	310 gcm <sup>2</sup>	310 gcm <sup>2</sup>
Weight	60 g	60 g	60 g	60 g



Ø d1	Type nr.	Ordering nr.	
6	MRAR 200 06	07400067	*
10	MRAR 200 10	07400068	*
6	MRAP 200 06	07400069	*
10	MRAP 200 10	07400070	*
6	MRAN 200 06	07400071	*
10	MRAN 200 10	07400072	*
6	MRAG 200 06	07400041	
10	MRAG 200 10	07400073	*

\*Not on stock