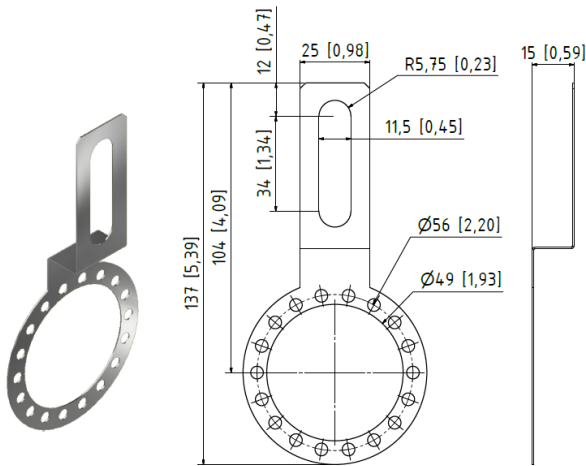
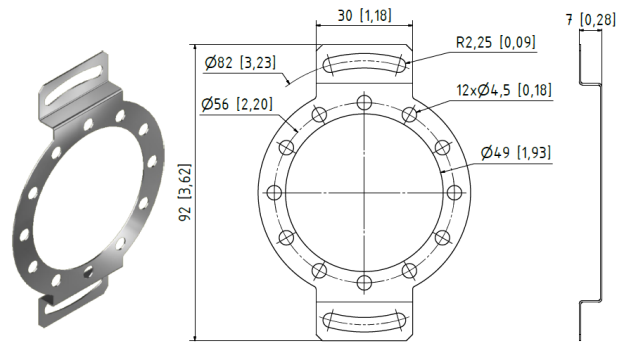


Anti-Rotation Spring Couplings

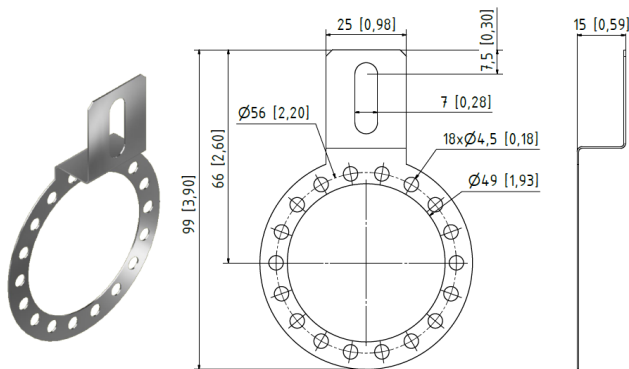


Option S1 – Tether
 p/n 80131017

mm (inches)

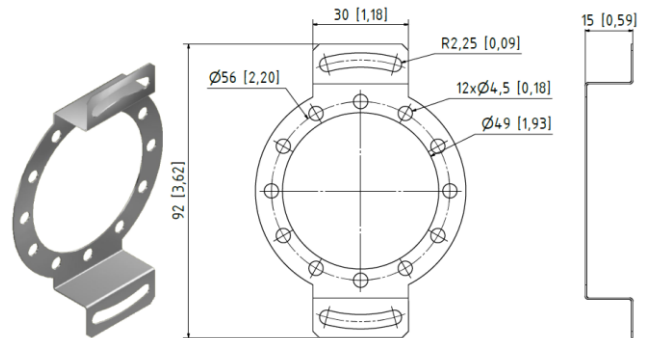


Option S2 – 2-hole Spring
 p/n 80131067



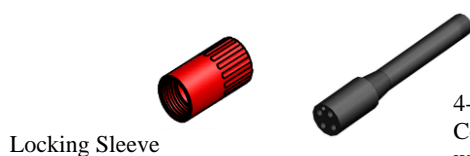
Option S3 – Short Tether
 p/n 80132464

mm (inches)



Option S4 – 2-hole Spring
 p/n 80131062

Mating Connectors



Locking Sleeve

Example:
 4-socket Female
 Connector Option
 w/ molded cable

SubConn Mating Connectors

Contact: MacArtney, Inc
www.macartney.com