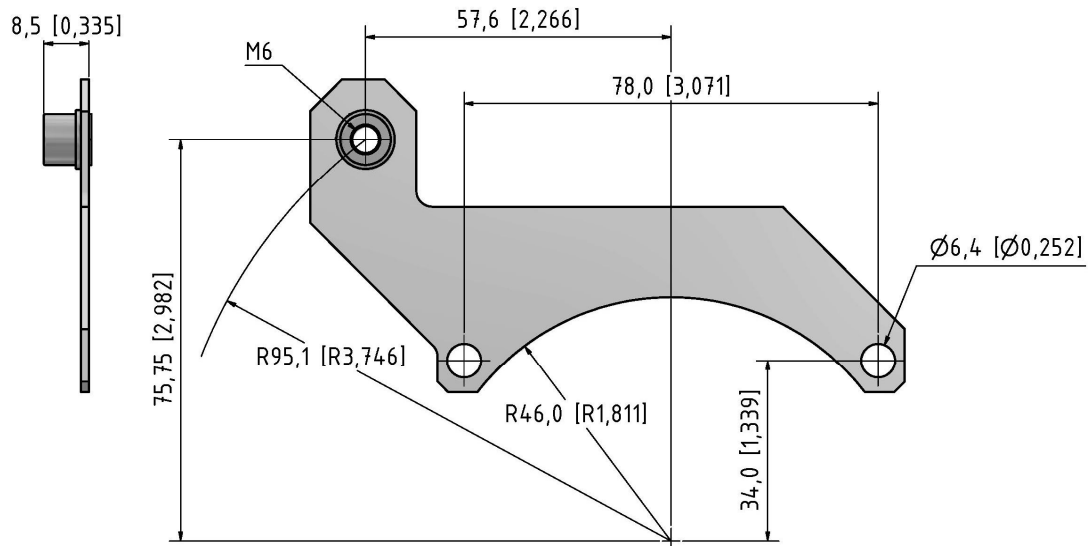


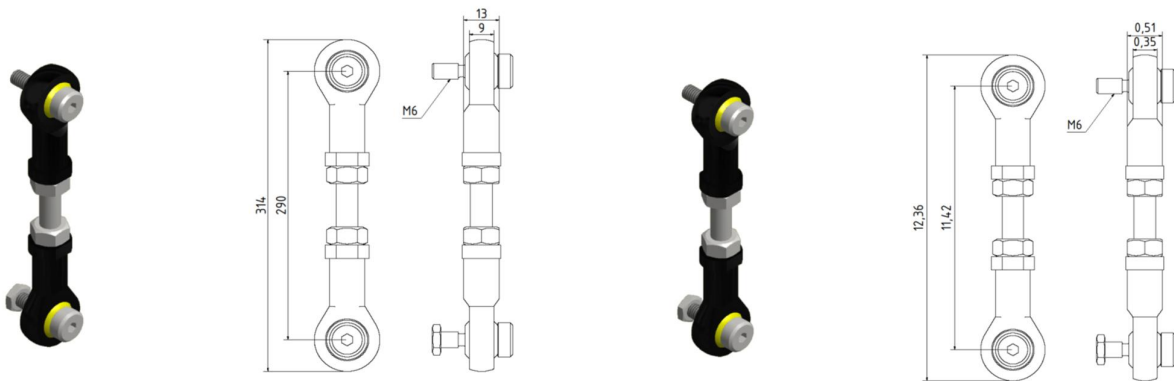
Anti-rotation device: Brackets



Part No. 70230951
Material: Stainless steel

mm [inches]

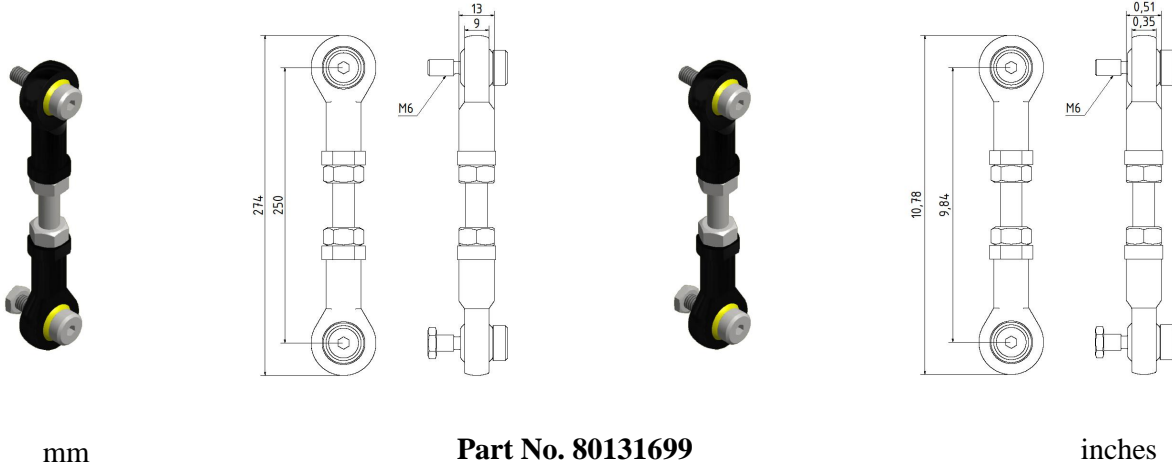
Torque Arm Options:



mm

Part No. 80131884

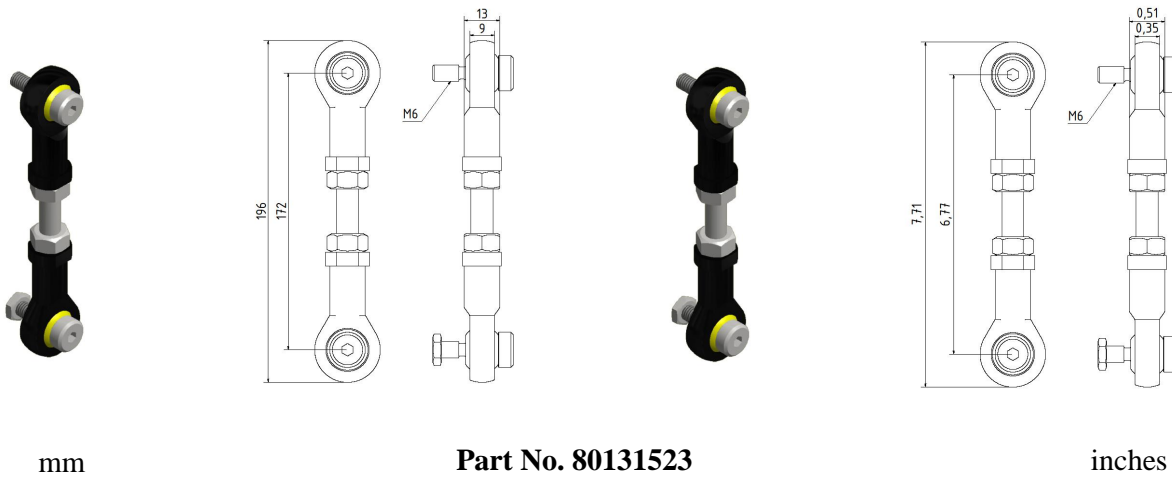
inches



mm

Part No. 80131699

inches

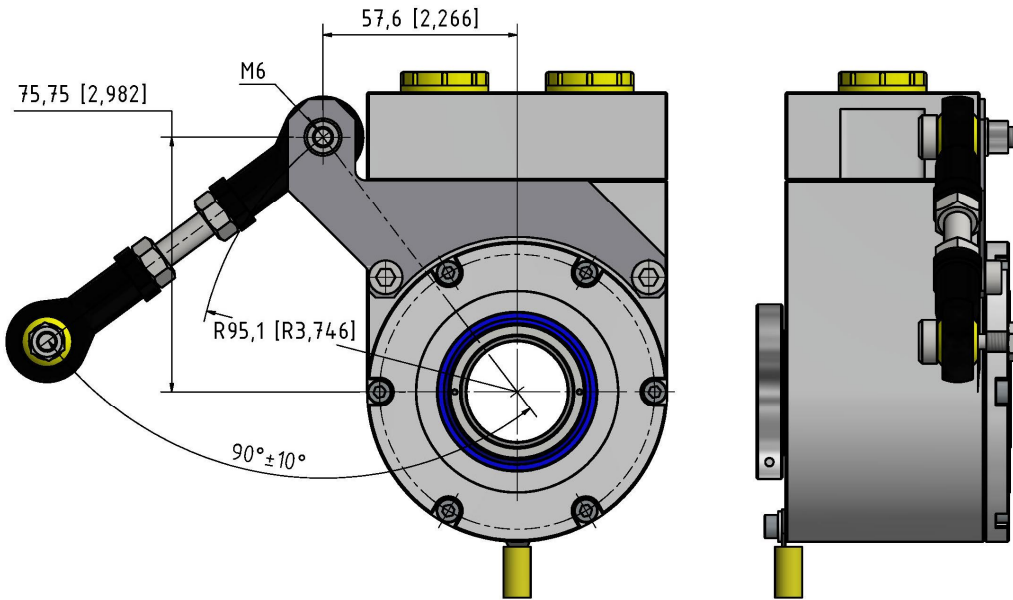


mm

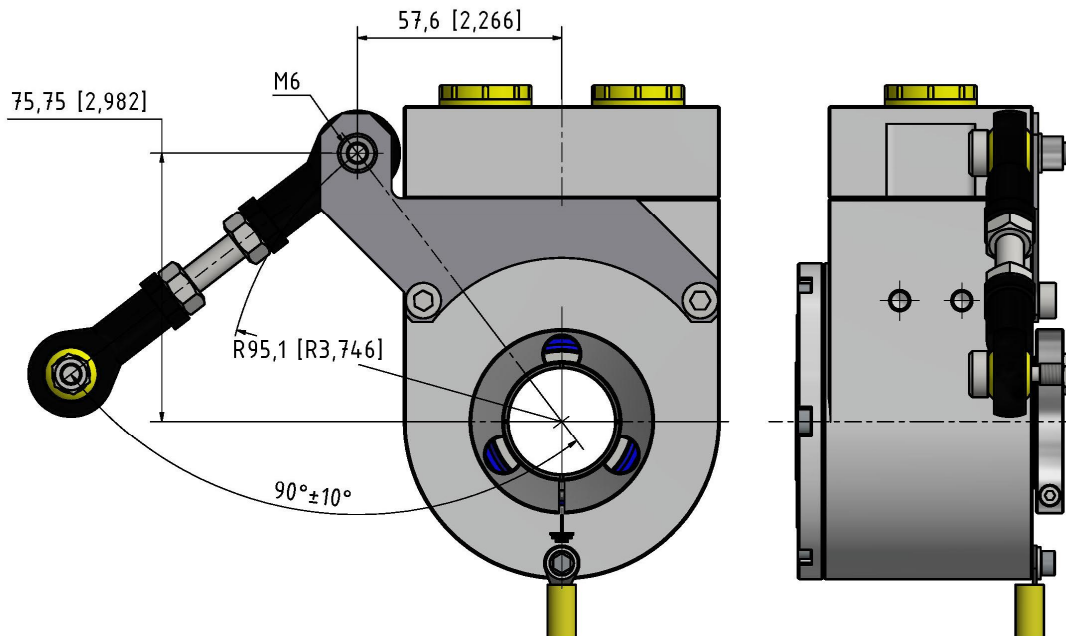
Part No. 80131523

inches

Examples of mounting anti-rotation device:



Anti-rotation device on the encoder's front side



Anti-rotation device on the encoder's back side